

BeoVision 1 (Update III)

Type 8630, 8632, 8633, 8635, 8636, 8638

Service Center repair guide

English, German, French, Italian, Spanish

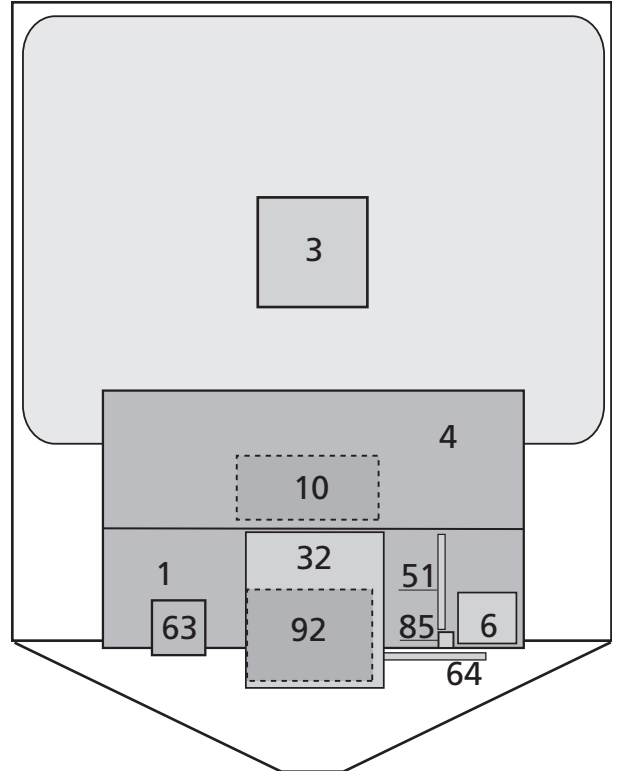
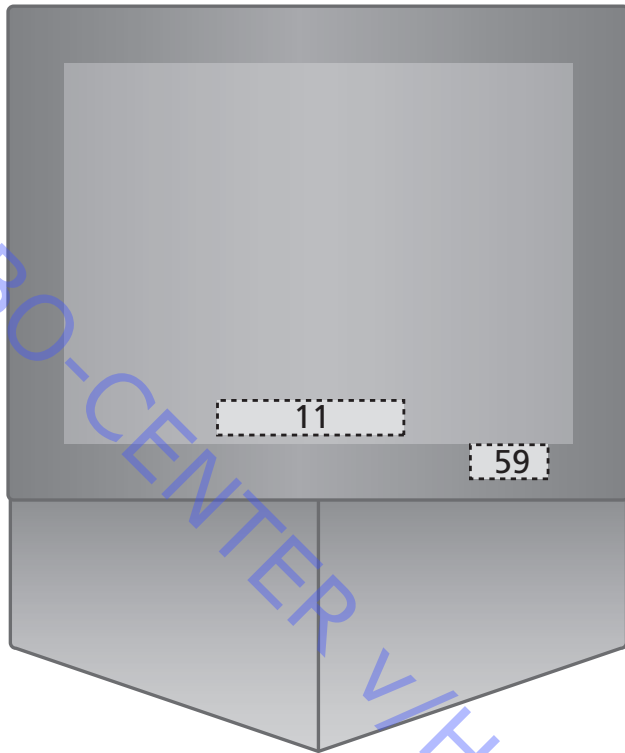


BANG & OLUFSEN



CONTENTS

Survey of modules	1.1
How to service	1.2
Specification guidelines for service use	1.4
Type survey	1.6
Cautions	2
Wiring diagram	3
Available parts	4
Adjustments, service mode, theft protection and flash-programming	5
English	5.1
German	5.15
French	5.29
Italian	5.43
Spanish	5.57
Disassembly	6
English	6.1
German	6.2
French	6.3
Italian	6.4
Spanish	6.5
Illustrations	6.6
Disassembly/Assembly	6.7
Main chassis in serviceposition	6.8
Replacement of main chassis	6.9
Replacement of PCB10	6.10
Replacement of other modules	6.11
Insulation test	7



- PCB1, PCB3, PCB4, PCB6
- PCB10
- PCB11
- PCB32
- PCB51
- PCB59
- PCB63
- PCB64
- PCB85
- PCB92

- Main chassis modules, module 999
- Sound output module
- IR receiver module
- Dolby Digital Decoder (AC3)
- Masterlink module
- Camcorder interface module
- Splitter & Modulator module
- Powerlink module
- Mini jack f. STB-Controller
- Motor stand module

HOW TO SERVICE

BeoVision 1 is supposed to be serviced in the customers home!

In order to support the general service strategy, a Back Up suitcase is available which contains the TV chassis and additional modules.

With this it is possible to easily carry out service in the customers home. Feature modules are included.

If the TV chassis is replaced, leave the EEPROM in the set. The chip is located on a separate very small module.

By doing so, the entire identity of the set is maintained.

After having replaced the faulty chassis, please read out error codes, write them down and let them follow the chassis going for repair.

After that clear error codes.

If it should be necessary to transport the TV, it must not be placed on the front glass.

SO WERDEN SERVICEARBEITEN AUSGEFÜHRT

Servicearbeiten am BeoVision 1 werden im Hause des Kunden vorgenommen!

Für diese allgemeine Servicestrategie steht ein Reparaturkoffer zur Verfügung, in dem das Chassis des Fernsehgeräts und weitere Module enthalten sind.

Mit Hilfe dieses Koffers können Servicearbeiten auf einfache Weise im Hause des Kunden vorgenommen werden. Dies gilt auch für Zusatzmodule.

Wenn das Chassis des Fernsehgeräts ersetzt wird, müssen der alte EEPROM im Fernsehgerät verbleiben. Der Chip befindet sich auf einem separaten, sehr kleinen Modul.

Auf diese Weise bleibt die Identität des Geräts vollständig erhalten.

Lesen Sie nach dem Ersetzen des defekten Chassis bitte die Fehlercodes aus diesem aus, notieren Sie die Fehlercodes und senden sie diese zusammen mit dem Chassis zur Reparatur ein.

Löschen Sie im Anschluß daran die Fehlercodes.

Falls das Fernsehgerät transportiert werden muß, ist zu beachten, daß es nicht auf die Frontscheibe gelegt werden darf.

MAINTENANCE ET ENTRETIEN

La maintenance et l'entretien du téléviseur BeoVision 1 doit s'effectuer au domicile du client !

Pour épauler la stratégie générale de service, une valise technique est disponible.

Elle contient un châssis de téléviseur et des modules supplémentaires.

Cet équipement permet d'assurer le service au domicile du client.

Des modules de fonctions sont inclus.

En cas de remplacement du châssis du téléviseur, laissez la mémoire EEPROM dans l'appareil. La puce est installée sur un module séparé de très petites dimensions.

De cette manière, l'identité du téléviseur reste intacte.

Après avoir remplacé le châssis défectueux, lisez et recopiez les codes d'erreurs, puis envoyez-les avec le châssis pour réparation.

Ensuite, effacez les codes d'erreurs.

S'il s'avère nécessaire de transporter le téléviseur, ne le placez pas sur la vitre avant.

COME EFFETTUARE LA MANUTENZIONE

BeoVision 1 è stato progettato perché sia possibile effettuare la manutenzione presso l'abitazione del cliente.

A supporto della strategia generale di manutenzione, è disponibile un set di manutenzione contenente lo chassis del televisore e moduli aggiuntivi.

Con tale set è possibile effettuare facilmente la manutenzione presso l'abitazione del cliente. Sono inclusi dei moduli accessori.

Se si sostituisce lo chassis del televisore, lasciare l'EEPROM nel set. El chip è collocati su un modulo separato di dimensioni molto piccole.

In tal modo, l'intera identità del set resta inalterata.

Dopo aver sostituito uno chassis danneggiato, leggere i codici di errore, prenderne nota e consegnarli insieme allo chassis inviato in riparazione.

È quindi possibile cancellare i codici di errore.

Nel caso sia necessario trasportare il televisore, non appoggiarlo sul vetro anteriore.

EJECUCIÓN DE LAS TAREAS DE REPARACIÓN Y MANTENIMIENTO

Se supone que el BeoVision 1 se va a reparar y mantener en la vivienda del cliente.

Para apoyar la estrategia general de reparación y mantenimiento, se dispone de un maletín auxiliar que contiene el chasis del televisor y módulos adicionales.

De este modo se pueden realizar fácilmente las tareas de reparación y mantenimiento en la vivienda del cliente. Se incluyen también módulos de funciones.

Si hubiera que sustituir el chasis del televisor, deje la EEPROM en el equipo. El chip están situados en un módulo independiente muy pequeño.

Haciéndolo así se mantiene la identidad completa del equipo.

Después de haber sustituido el chasis defectuoso, lea los códigos de error, anótelos y envíelos con el chasis que se manda para reparación.

Después de esto, borre los códigos de error.

Si fuera necesario trasladar el televisor, no debe colocarse sobre el cristal frontal.

SPECIFICATION GUIDELINES FOR SERVICE USE	BeoVision 1 (Update III)
CTV system	*See type survey
Cabinet finish	Black and Grey
Picture tube	63 cm - 25" (4:3), Black line, Black matrix
Contrast screen	Grey glass
Vision Clear	Automatic Picture Adjustment Automatic cut-off Colour Transient Improvement Adaptive Luminance Peaking Scan Velocity Modulation
Operation	Beo4 remote control (included)
Menu languages	English, Danish, Dutch, Spanish, Swedish, German, French, Italian
Tuner range	45 - 860 MHz: VHF, S-band, Hyper-band, UHF
No. Of TV programmes	99, auto naming 8 Program Groups
Teletext	Improved Teletext 7 teletext character sets 9 memory pages per program
Stereo decoders	A2 + NICAM
Speakers	
Power amplifiers	4 units
Frequency range	50 - 20,000 Hz
Max. sound pressure level	96 dB
Cabinet principle/Net. Volume	Bass reflex/2.6 litres
Woofer	115 mm (4½")
Tweeter	18 mm (¾")
Bass equalizer	Adaptive
Magnetic shielded	Yes
Stand turning function	±35 degrees, remote operated
Dolby® Digital Decoder	
Decoding capabilities	Dolby® Digital 5.1 channel decoding Dolby® Pro-Logic decoding of two channel Dolby® Digital Dolby® Pro-Logic decoding of two channel PCM Dolby® Pro-Logic decoding of two analogue channels (Lt/Rt) Automatic format detection(Dolby® Digital, PCM)
Calibration	3 channel Tone control & loudness (L/C/R) Bass management, Delay management
Sound modes (Speaker 1 - 5)	Speaker 1 : Stereo internal speakers(Subwoofer muted) Speaker 2 2.0/2.1 : Stereo external speakers / Stereo external speakers + Subwoofer Speaker 3 3.0/3.1 : Dolby®-3 stereo / Dolby®-3 stereo + Subwoofer Speaker 4 4.0/4.1 : Stereo-4 / Stereo-4 + Subwoofer Speaker 5 5.0/5.1 : Dolby® Digital or Dolby® Pro-Logic Surround / Dolby® Digital + Subwoofer
Connections	
Digital audio input	2 x Coax phono, Input-1 & 2
External BeoLab speakers	5 x Power Link (Left, Right, Rear left, Rear right, Subwoofer Internal Center)

System modulator	
	Splitter/System modulator output to Link Room (BeoLink Video Distribution)
Frequency range	479 - 831 MHz (in 1 MHz step), Dual side band
Video	Automatic Gain Control
Audio	Mono
	According to type : FM sound system G : 5.5MHz, FM sound system I : 6MHz
Connection	1 x 75 ohm aerial male
Optional	
Digital Surround Sound (AC-3/DTS)	4064
Set-top box Controller	4060
Modulator system B/G	4016
Modulator system I	4018
Master Link module	4015
Motor kit f. stand	4012
Contrast screen, Antireflex coated	Only available ex. Factory
Floor stand, low	4186
Table stand	4185
Video stand, high gloss black	4189
Wall bracket	4188
Floor stand, high	4187 (plate) 4199 (tube) 4194 (base)
Dimensions W x H x D/Weight	61 x 73 x 42 cm/38 kg
Power consumption	Typical 81 watts, St By 0.5 watts
CONNECTIOS	
MASTER LINK	
Pin 1	Data- -0.25V \pm 0.1V
Pin 2	Data+ +0.25V \pm 0.1V
Pin 3	ML sense
Pin 4-8	N.C.
Pin 9	ATI transmit
Pin 10	ATI receive
Pin 11	-supply voltage -7V to -15V (in St By -3V to -15V)
Pin 12	+supply voltage +7V to +15V (in St By +3V to +15V)
Pin 13	Audio -L 1V Bal, Rin 2.2Mohms, Rout 75ohms
Pin 14	Audio +L 1V Bal, Rin 2.2Mohms, Rout 75ohms
Pin 15	Audio -R 1V Bal, Rin 2.2Mohms, Rout 75ohms
Pin 16	Audio +R 1V Bal, Rin 2.2Mohms, Rout 75ohms
POWER LINK (Power Link & AC3 modules)	
Pin 1	PL ON => 2.5V, OFF =< 0.5V
Pin 2	Signal GND
Pin 3 α	Audio L out 0V - 6.5V RMS
Pin 4	PL speaker ON => 2.5V, OFF =< 0.5V
Pin 5 α	Audio R out 0V - 6.5V RMS
Pin 6	Data: High >3.5V, Low <0.8V
Pin 7	Data GND
Pin 8	Not used
α = Pin 5 is connected to pin 3 in the SUBWOOFER socket.	
INPUT 1 & 2 (AC3)	S/P DIF Digital signal input

V.TAPE & AV	Pin 1	Audio R out 1V RMS 150 ohms
	Pin 2	Audio R in 1V RMS 40 kohms
	Pin 3	Audio L out 1V RMS 150 ohms
	Pin 4	Audio GND
	Pin 5	Blue GND
	Pin 6	Audio L in 1V RMS 40 kohms
	Pin 7	Blue in 0.7 Vpp 75 ohms
	Pin 8	Play voltage: Logic 0 = 0V to 2V Logic 1 = 9.5V to 12V (4:3 info) 5V to 7V = 16:9 info V.TAPE Data in/out AV Data out
	Pin 9	Green GND
	Pin 10	Not used
	Pin 11	Green in 0.7 Vpp 75 ohms
	Pin 12	Not used
	Pin 13	Red GND
	Pin 14	Blanking GND
	Pin 15	Red in 0.7 Vpp 75 ohms (Note 1)
	Pin 16	Blanking in Logic 0 = 0V to 0.4V Logic 1 = 1V to 3V R in 75 ohms
	Pin 17	Video out GND
	Pin 18	Video in GND
	Pin 19	Composite video out 1 Vpp 75 ohms
	Pin 20	Composite video in 1 Vpp 75 ohms (Note 2)
	Pin 21	Shield
	Note 1: Pin 15 is also used for C in.	
	Note 2: Pin 20 is also used for Y in.	
VIDEO	Composite video in 1Vpp 75 ohms	
L & R	Audio L & R in 0.2V - 2 V RMS >10 kohms	
PHONES	Ø 3.5 mm 8 - 32 ohms	
Set-top box	Mini jack	
TV	1 x aerial 75ohms	
Modulator	1 x aerial 75ohms male output	
Subject to change without notice		

*TYPE SURVEY			Modification to other TV transmission systems		
Type	System		B/G	B/G/L/L'/I/D/K	B/G/I/M/D/K
8630	B/G	EU		8053496	8053495
8632	I/M/D/K	HK	2*	8053496	2*
8633	I	GB	1*	1*	8053495
8635	B/G	AUS		8053496	8053495
8636	B/G/D/K	East EU		1*	8053495
8638	B/G/L/L'/I	F (GB)		1*	8053495

All types mentioned are equipped with PAL/SECAM/NTSC colour decoder.

8053495 TV chassis system B/G/I/M/D/K. Can be setup to systems B/G, M, D/K and I in service mode.

8053496 TV chassis system B/G/L/L'/I/D/K. Can be setup to systems B/G, L/L', D/K and I in service mode.

1* Can be setup to systems B/G, L/L', D/K and I in service mode.

2* Can be setup to systems B/G, M, D/K and I in service mode.

Modification to other TV systems either by means of chassis exchange or set up in service mode, there might be limitations in functionality, if the TV is fitted with Modulator system G or I.

CAUTION



Static electricity may destroy the product!

A static-protective field service kit must always be used when replacement of the modules takes place.

Please note:

When mains voltage on the TV is required, remove the connection from the TV to the ESD mat.

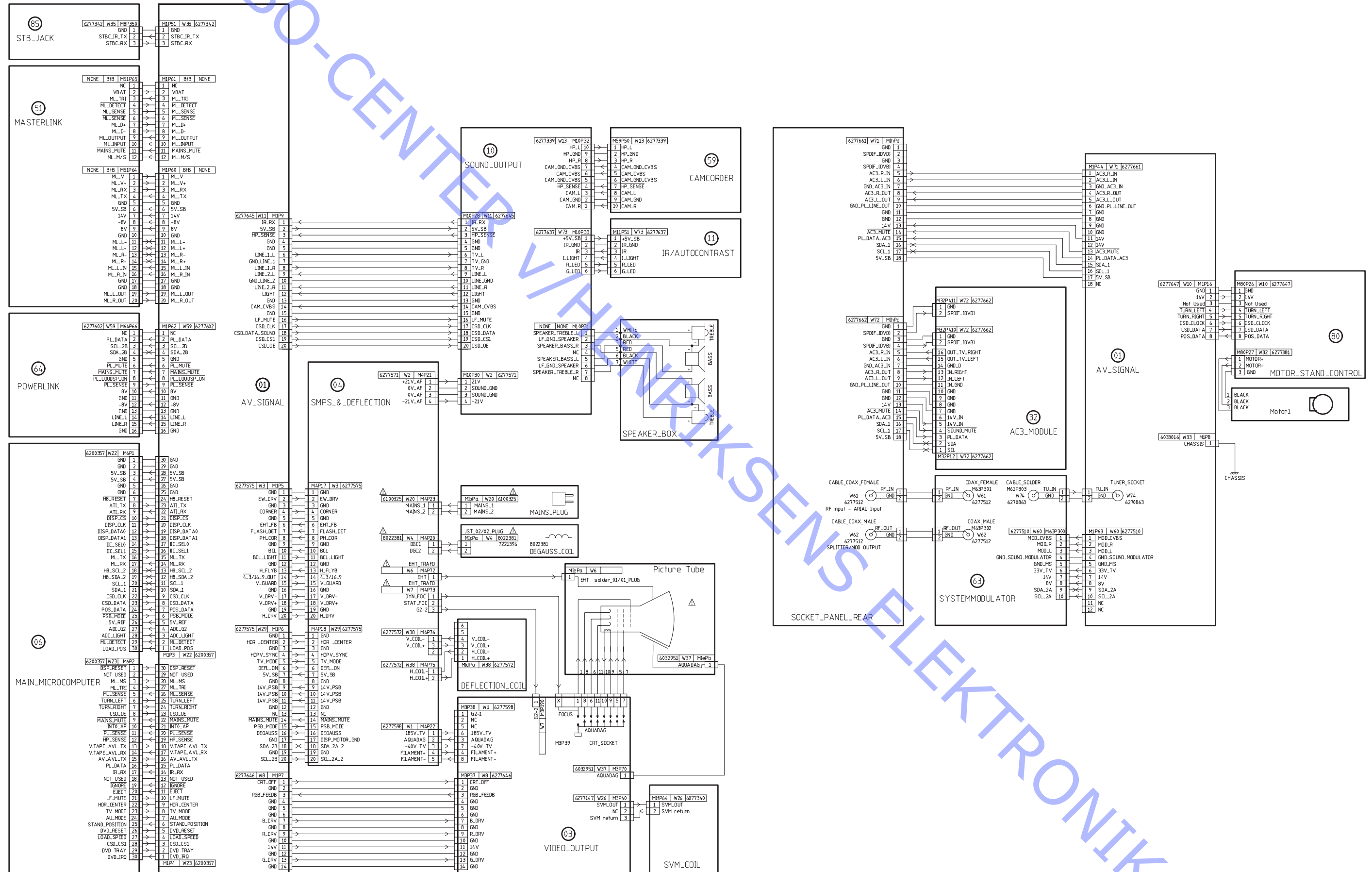
Lithium battery



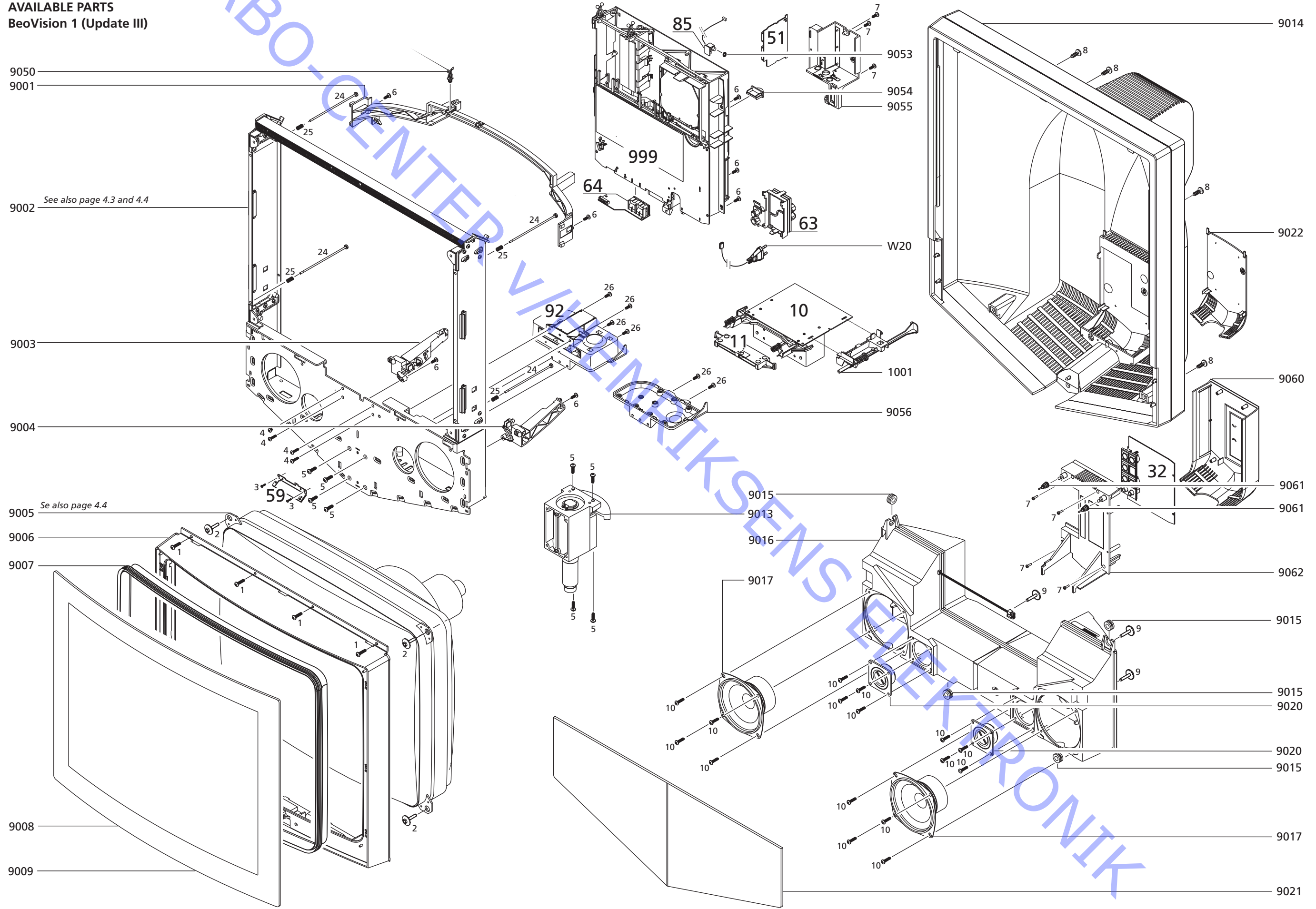
WARNING

Short-circuit and overcharging of some types of lithium batteries may result in a violent explosion.

Wiring diagram



AVAILABLE PARTS
BeoVision 1 (Update III)



BeoVision 1 (Update III)

9001	3151615	Holder f/chassis	9017	8480214	Woofers
9002	8052650	Frame f/picture tube, complete	9020	8480292	Tweeter
9003	3151546	Holder f/chassis, left	9021	3320439	Cloth front, grey
9004	3151545	Holder f/chassis, right	9022	3320432	Cloth front, black
9005	8200111	Picture tube		3440213	Cable cover, grey
9006	3320448	Frame f/contrast screen		3440214	Cable cover, black
9007	3340185	Gasket f/contrast screen	9050	2515063	Wire holder
9008	3451725	Contrast screen	9053	2380145	Nut f/PCB85
9009	3451753	Contrast screen, coated	9054	3162778	Cover f/Masterlink
9013	3130147	Turn mechanism	9055	3160241	Cover f/socketpanel
9014	3440195	Back cover, grey	9056	3131422	Cover (when Motor Stand not used)
	3440196	Back cover, black	9060	3440227	Cover f/AC3, grey
9015	2937313	Rubber bushing		3440228	Cover f/AC3, black
9016	3440200	Loudspeaker box, complete w/speakers	9061	2930169	Spacer, rubber
			9062	3440229	Holder f/PCB32

W20	6100325	Mains lead EU
	6100404	Mains lead GB
	6100391	Mains lead 4.5m

6Module		PCB6, Main microcomputer
6IC3&6IC4	8344213	SW EPROM

PCB6, Main microcomputer is not available as spare part

10Module	8000944	PCB10, Sound Output incl. pos. no. 1001
1001	2776620	Button f/mains switch

11Module	8006501	PCB11, IR Receiver
----------	---------	--------------------

32Module	8000910	PCB32, Dolby Digital Decoder (AC3)
----------	---------	------------------------------------

51Module	8000882	PCB51, Masterlink
----------	---------	-------------------

59Module	8005688	PCB59, Camcorder Interface
----------	---------	----------------------------

63Module	8000521	PCB63, Splitter & Modulator, system B/G
	8000522	PCB63, Splitter & Modulator, system I

64Module	8000921	PCB64, Powerlink
----------	---------	------------------

85Module	8008903	Jack STB-Controller
----------	---------	---------------------

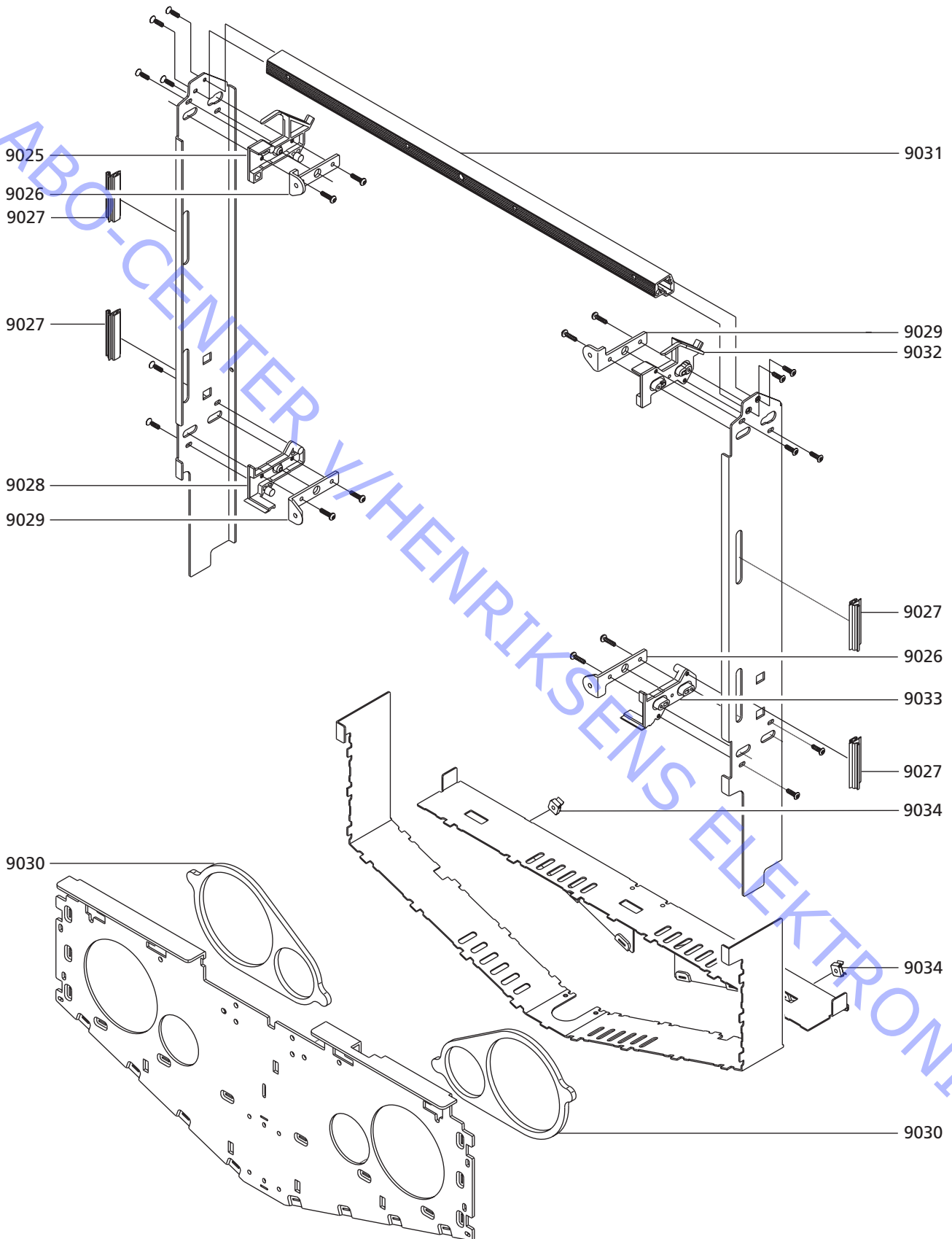
92Module	8006502	PCB92, Motor stand, complete
----------	---------	------------------------------

999Module		Main chassis consist of PCB1, PCB3, PCB4, PCB6, PCB64
	8053494	Main chassis, system B/G
	8053495	Main chassis, system B/G/D/K/M/I
	8053496	Main chassis, system B/G/L/L/I/D/K

Survey of screws

1	2054025	Screw 4 x 10mm
2	2044047	Screw 5 x 15mm
3	2013176	Screw 3 x 6mm
4	2054027	Screw 4 x 8mm
5	2042074	Screw 4 x 8mm
6	2019021	Screw 4 x 12mm
7	2013137	Screw 3 x 10mm
8	2052019	Screw 5 x 14mm
9	2052025	Screw 4 x 12mm
10	2013123	Screw 3 x 10mm
24	2044080	Screw 3.5 x 125mm
25	2816361	Spring
26	2042074	Screw 4 x 8mm

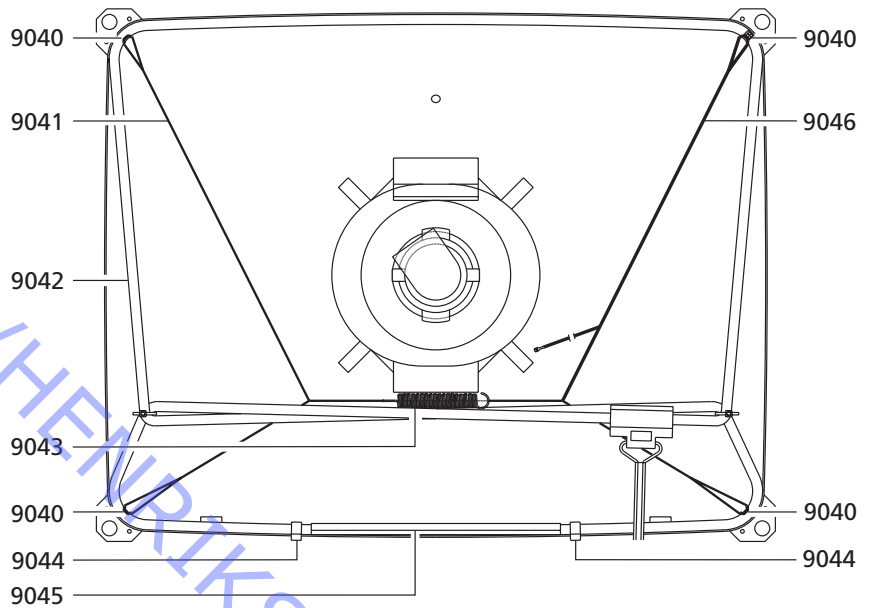
Frame f/picture tube



Frame f/picture tube

9025	3151540	Holder f/picture tube, left, top
9026	2530568	Bracket f/picture tube
9027	3014124	Rubber slip
9028	3151539	Holder f/picture tube, left, bottom
9029	2530569	Bracket f/picture tube
9030	3332076	Gasket f/loudspeakers
9031	2569515	Profile
9032	3151542	Holder f/picture tube, right, top
9033	3151541	Holder f/picture tube, right, bottom
9034	2380178	Clips nut

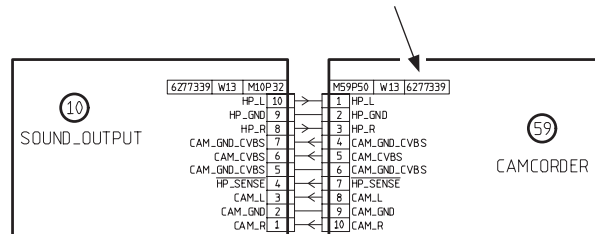
Picture tube



9040	3151563	Holder f/degaussing coil
9041	7510049	Ground current
9042	8022342	Degaussing coil
9043	2810189	Spring f/ground current
9044	3152778	Holder f/degaussing coil
9045	3332077	Condensator f/Sound Output
9046	7510050	Ground current w/wire

Wire bundles

See wiring diagram page 3.1.
The part no. is printed on the diagram, as shown.



Parts not shown

- 3658271 Product cover
- 2752068 Service stand
- 3395200 Back up suitcase, system B/G
- 3395201 Back up suitcase, system B/G/L/D/K/MM
- 3395202 Back up suitcase, system B/G/L/L'/M/D/K

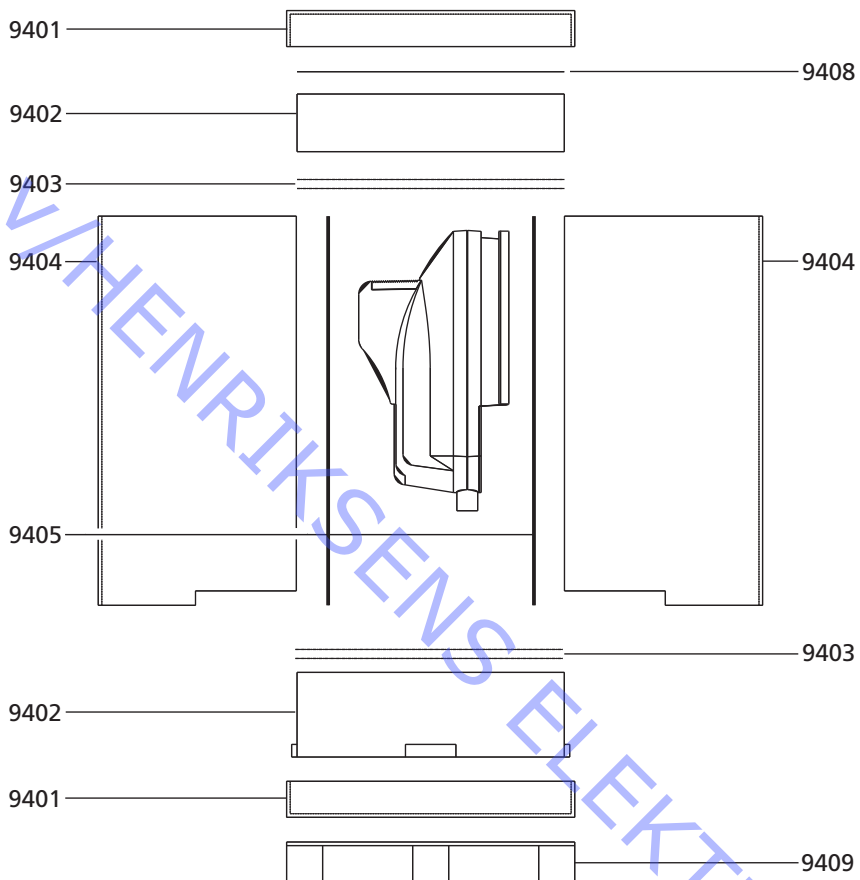
Flash tool

- 3375397 Cable kit for flash tool, complete
- 6270857 Main cable
- 6270852 Cable D-SUB-Jack
- 6277439 Wire, 3 pole
- 8008903 PCB w/minijack

Accessories

See specification guidelines page 1.5

Packing



- 9401 3392766 outer carton top/bottom - order 2pcs.
- 9402 3396194 Foam packing, set of top and bottom, incl. pos. no. 9406 and 9407
- 9403 3917105 Foam foil - 1200 x 600mm
- 9404 3392767 Outer carton, side - order 2pcs.
- 9405 3392769 Masonite (AUS-HK)
- 9408 3392770 Masonite (AUS-HK)
- 9409 3392685 Wooden pallet
- 3392768 Wooden pallet (AUS)

3946176 Bag w/15m strap and 3 holders

Beo4

9002	2776627	Set of buttons
9003	8001806	PCB
9006	8700017	Battery, Alkaline

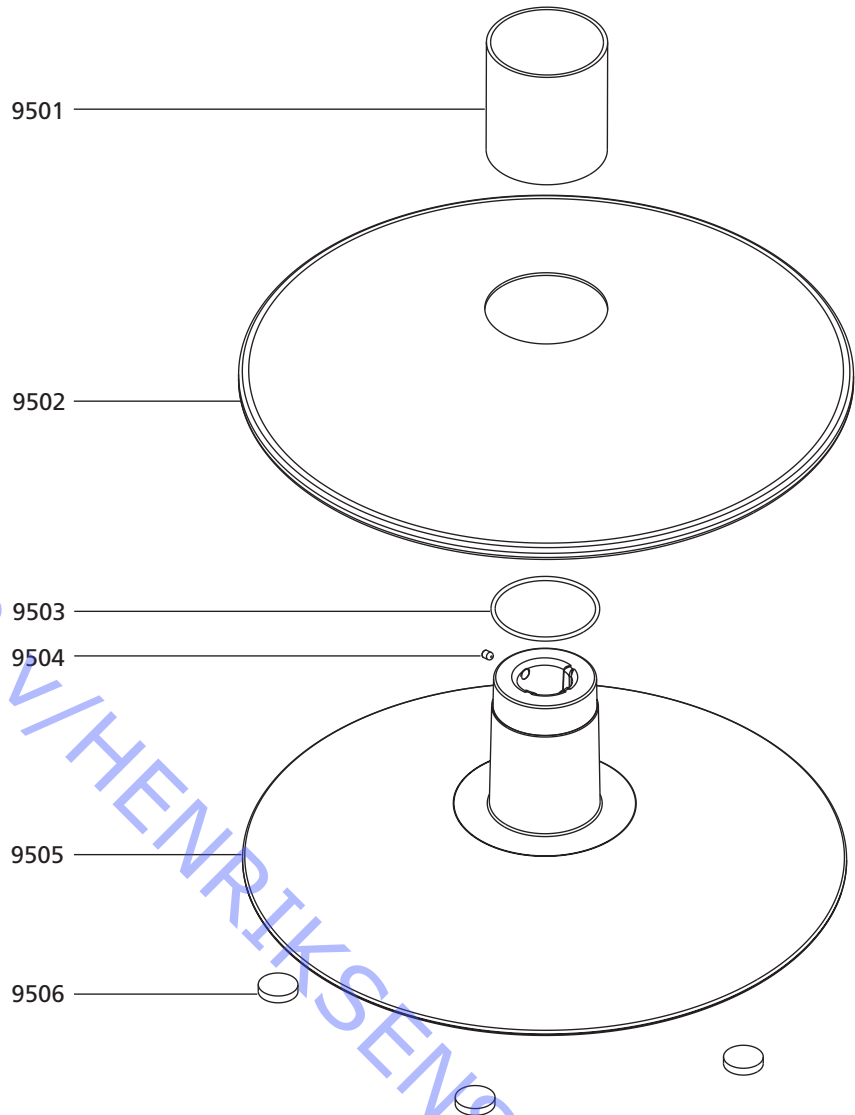
All other parts see service manual part no. 3538840

Available documentation

3508535	User's Guide, Danish
3508536	User's Guide, Swedish
3508537	User's Guide, Finnish
3508538	User's Guide, English
3508539	User's Guide, German
3508540	User's Guide, Dutch
3508541	User's Guide, French
3508542	User's Guide, Italian
3508543	User's Guide, Spanish
3508544	User's Guide, Portuguese
3508545	User's Guide, Russian
3508546	User's Guide, Greek
3503964	Reference Book, Danish
3503965	Reference Book, Swedish
3503966	Reference Book, Finnish
3503967	Reference Book, English
3503968	Reference Book, German
3503969	Reference Book, Dutch
3503970	Reference Book, French
3503971	Reference Book, Italian
3503972	Reference Book, Spanish
3503973	Reference Book, Portuguese
3503974	Reference Book, Russian
3503975	Reference Book, Greek
3543362	On-Site service guide - English, German, French, Italian, Spanish, Danish, Dutch

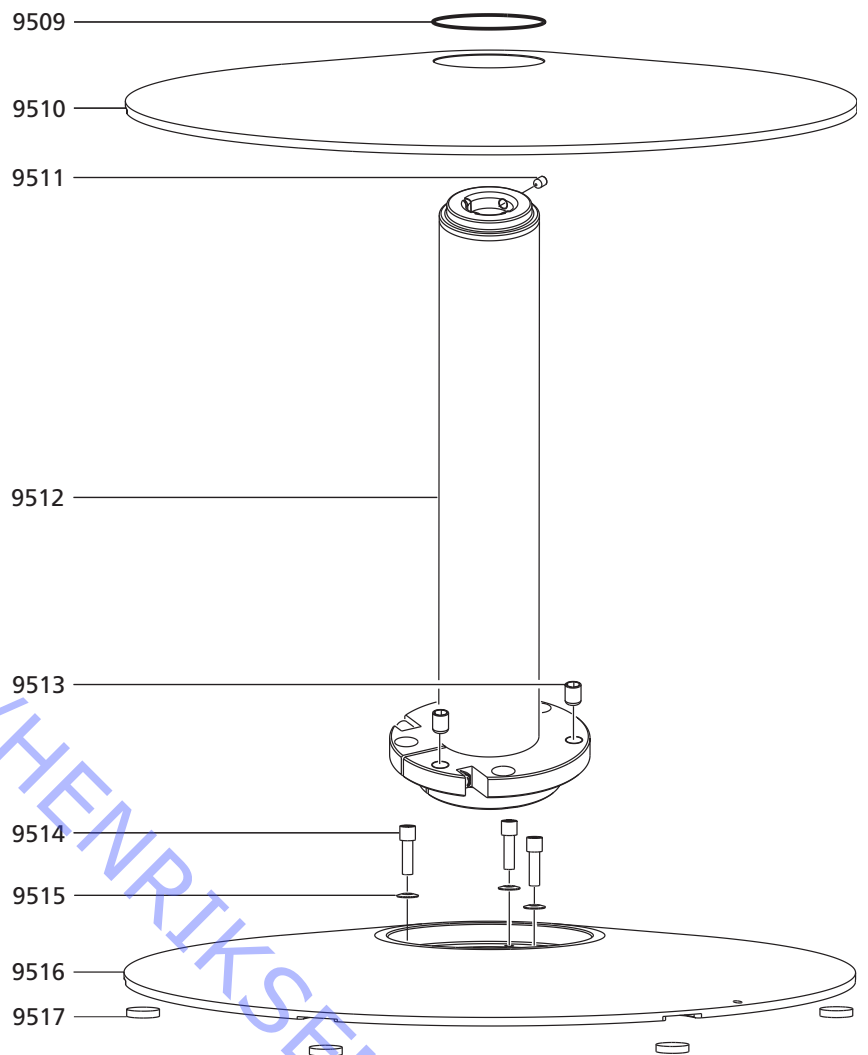
ABO-CENTER V/HENRIKSENS ELEKTRONIK

Table stand
ST 4185



9501	2950189	Cover tube
9502	3459104	Base cover plate
9503	2732137	O-ring
9504	2015169	Pointed screw
9505	2752066	Base w/pos. no. 9504 and 9506
9506	3103386	Rubber washer
	3390585	Cable cover, grey 1.6m
	3390582	Bag w/wire holder, 4 cable straps and 2 screws
	3504548	Setting-up guide
	3396037	Foam
	3392594	Outer carton

Floor stand, low
ST 4186

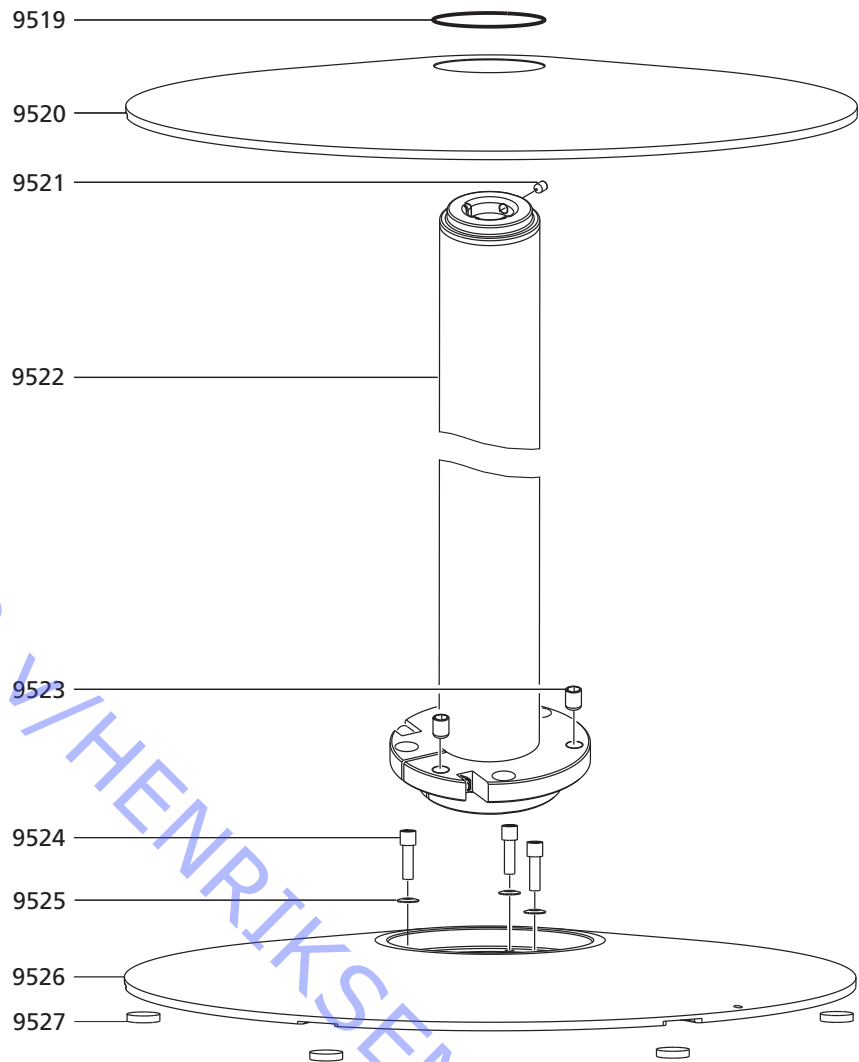


9509	2576340	Nylon-ring
9510	3459103	Base cover plate w/pos. no. 9509
9511	2015169	Pointed screw
9512	2954026	Tube w/pos. no. 9511 and 9513
9513	2015172	Pointed screw
9514	2015173	Screw
9515	2620133	Washer
9516	2752065	Base w/pos. no. 9514, 9515 and 9517
9517	3103386	Rubber washer

- 3390585 Cable cover, grey 1.6m
- 3504549 Setting-up guide
- 3396038 Foam
- 3392595 Outer carton
- 3390596 Bag w/parts, screws etc.

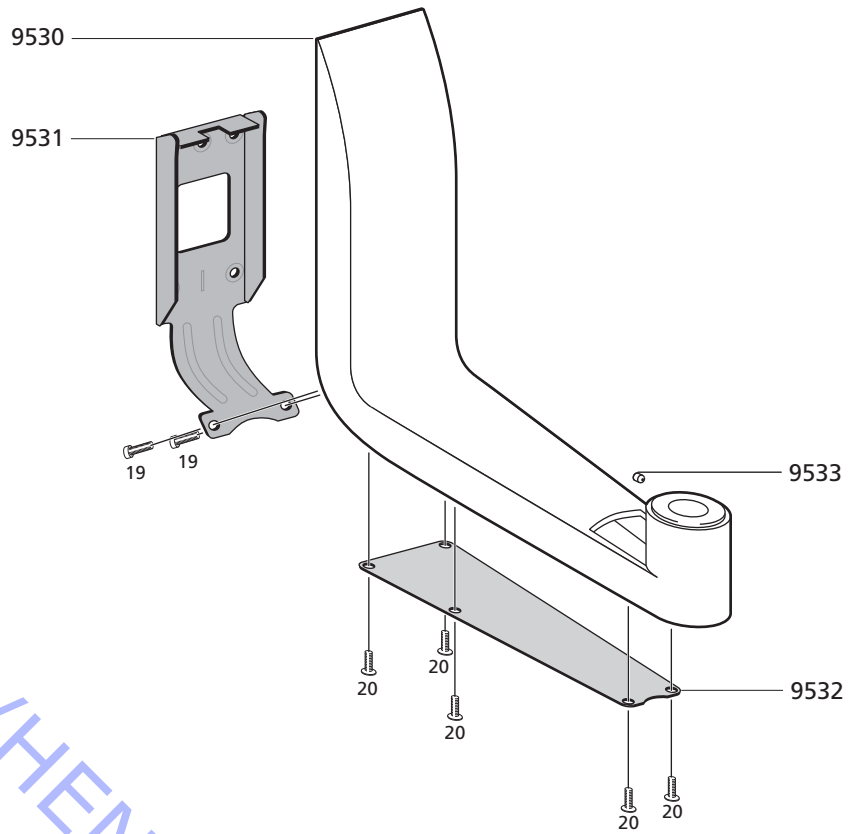
ABO-CENTER V/HENRIKSENS ELEKTRONIK

Floor stand, high
ST 4187



9519	2576342	Nylon-ring
9520	3459102	Base cover plate w/pos. no. 9519
9521	2015169	Pointed screw
9522	2954024	Tube w/pos. no. 9521 and 9523
9523	2015172	Pointed screw
9524	2015173	Screw
9525	2620133	Washer
9526	2752058	Base w/pos. no. 9524, 9525 and 9527
9527	3103386	Rubber washer
	3390585	Cable cover, grey 1.6m
	3160197	Cover f/Camcorder plug
	6100391	Mains lead 4.5m
	3504550	Setting-up guide
	3396041	Foam f/pos. no. 9522 - Tube
	3392600	Outer carton f/pos. no. 9522 - Tube
	3396065	Packing, complete f/pos. no. 9526 - Base
	3396039	Foam f/pos. no. 9520 - Base cover plate
	3392597	Outer carton f/pos. no. 9520 - Base cover plate

Wall bracket
WB 4188



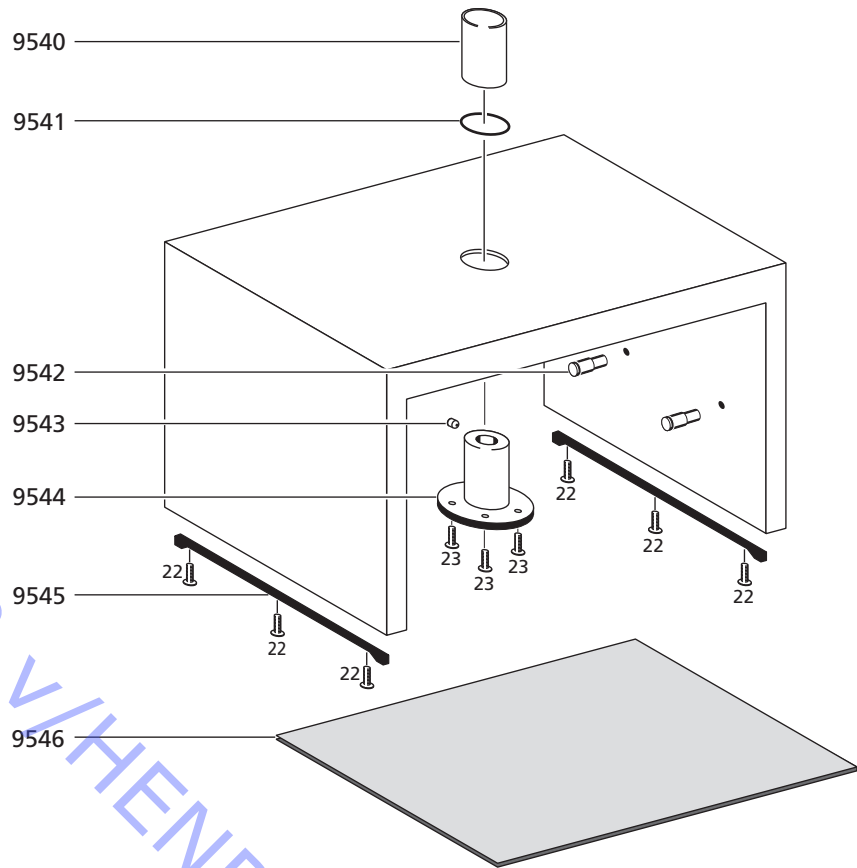
9530	3151630	TV bracket w/pos. no. 9533
9531	3151631	Wall bracket
9532	3151632	Bottom plate
9533	2015169	Pointed screw
	6270855	Coax cable 50mm, male-female
	3390585	Cable cover, grey 1.6m
	3040039	Allen key
	3504673	Setting-up guide
	3396057	Foam
	3392642	Outer carton

Survey of screws

19	2013225	Screw
20	2013226	Screw

ABO-CENTER V/HENRIKSSONS ELEKTRONIK

Video stand
ST 4189



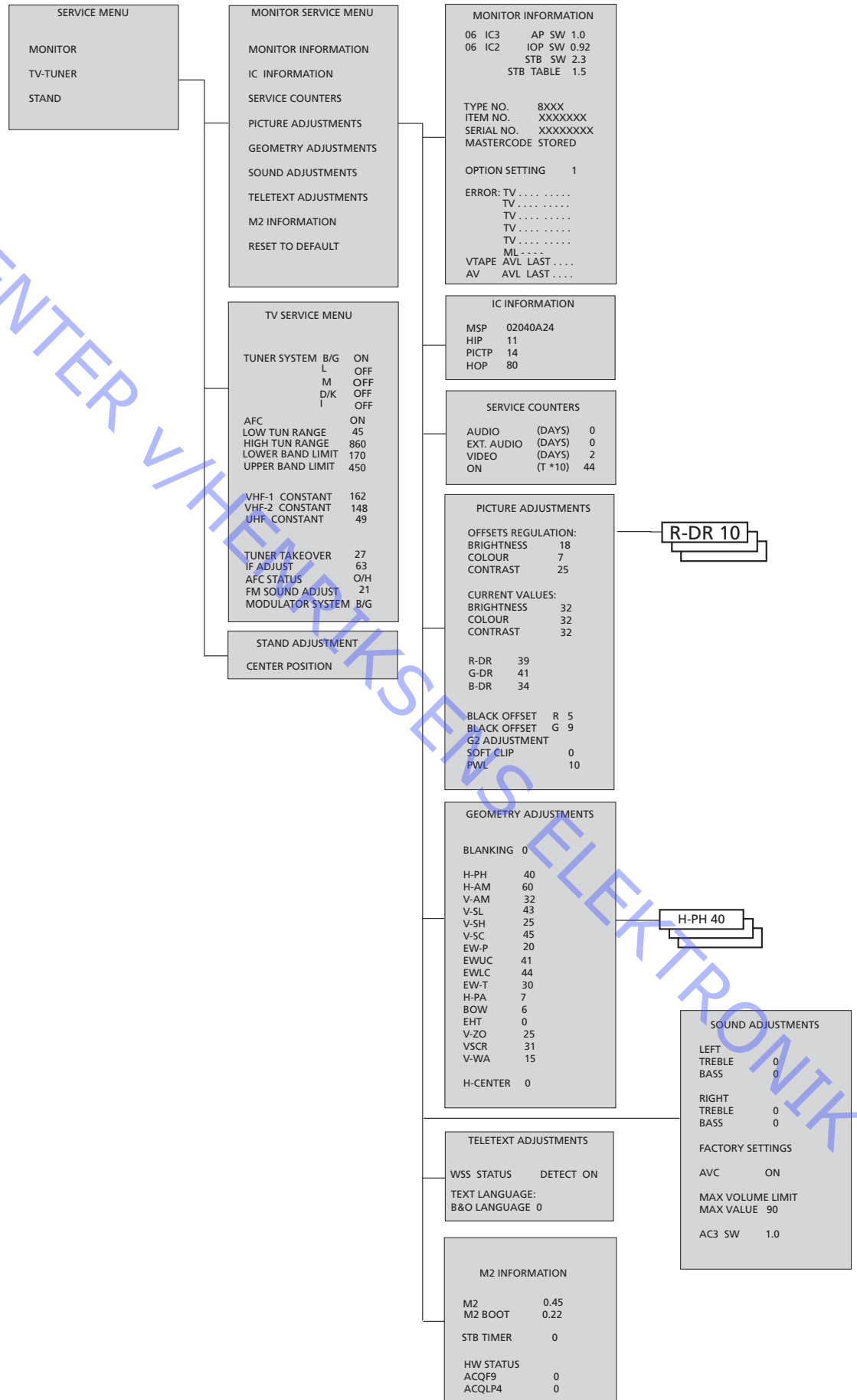
9540	2950196	Cover, tube
9541	2732137	O-ring
9542	3151622	Retainer
9543	2015169	Pointed screw
9544	3130247	Base
9545	3103394	Foot f/video stand
9546	3451598	Shelf, glass
	3390598	Cable cover, black 1.6m
	3390582	Bag w/wire holder, 4 cable straps and 2 screws
	3504552	Setting-up guide
	3396058	Foam
	3392643	Outer carton

Survey of screws

22	2013230	Screw
23	2013231	Screw

ADJUSTMENTS

Most of the adjustments is made in Service Mode. Below see an overview of the Service Mode menus.



Access to Service Mode

Select a SETUP menu.

Beo4: Press **0 0 GO** within 3 seconds.

Select ordinary menu operation to leave Service Mode.

Operation in Service Mode.

Beo4	Activity
EXIT	Removes the menus
GO	- Selects the sub menu to the menu line where the cursor is placed - Stores the selected values and returns to the SERVICE MENU - Deletes error codes in the MONITOR INFORMATION menu and returns to the SERVICE MENU
▲	Moves the cursor up and returns to the previous menu
▼	Moves the cursor down and selects a sub menu in special occasions
◀ ▶	Selects new values in the menus and selects a sub menu in special occasions

Important!

When replacing the electrical chassis including PCB1 AV signal processing, PCB3 Video output, PCB4 Power supply & deflection, and PCB6 Main microcomputer, to avoid loss of data the old EEPROM 6IC6 must be moved to the new PCB6.

At the bottom left-hand corner of PCB1, AV signal processing, there is a small label where the adjustment values for TUNER TAKEOVER, IF ADJUST and FM SOUND ADJUST are written. These values must be written into the old EEPROM.

When replacing PCB6 the old EEPROM 6IC6 also must be moved to the new PCB6.

Stand (Only TV's with motorised stand)

To be adjusted when the gear box with the motor stand control PCB92 has been mounted in the TV, or if any part of the electrical chassis that contains PCB6 with the EEPROM 6IC6 has been replaced.

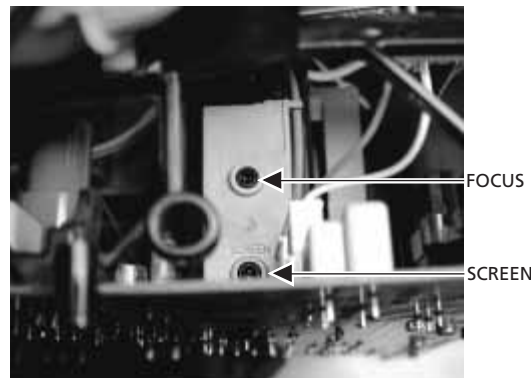
- Enter Service Mode and select the STAND line.
- Press **GO**, when CALIBRATION OK is displayed the centre position of the motorised stand has been found.

For the following adjustments a standard 4:3 test pattern (e.g. Philips) should be used.

Focus

- Adjust to optimum focusing of the vertical lines as viewed approx. 10cm/4" from the edge of the screen by means of the FOCUS potentiometer in the EHT transformer (see >6).

>6



Picture adjustments

Picture adjustments shall only be done in format 1 (4:3) and must be done in a dark room.

- Select PICTURE in the OPTIONS menu and set the values for BRIGHTNESS, CONTRAST and COLOUR to the mid position. Press **GO** to store.
- Enter Service Mode and select the MONITOR line.
- Select the PICTURE ADJUSTMENTS line.
- Check that BRIGHTNESS, CONTRAST and COLOUR in CURRENT VALUES must show 32.

Some of the adjustments are fixed and should not be adjusted:

- OFFSETS REGULATIONS:

BRIGHTNESS	18
CONTRAST	25
COLOUR	7
SOFT CLIP	0
PWL	10

- Adjust R-DR, G-DR and B-DR to correct white level.

PAL/NTSC signals:

- Connect a PAL signal to the TV and adjust BLACK OFFSET R and BLACK OFFSET G to correct grey level.

SECAM signals:

- Connect a SECAM signal to the TV and adjust BLACK OFFSET R and BLACK OFFSET G to correct grey level.

G2 Adjustment (see >6).

H-CENTER in GEOMETRY ADJUSTMENTS must be made before G2 adjustment.

- Select the G2 ADJUSTMENT line in the PICTURE ADJUSTMENTS menu by pressing **▶▶**. The screen now turns black. Adjust by means of the SCREEN potentiometer in the EHT transformer until the Stand By LED turns green (red = G2 too high, yellow = G2 too low, green = G2 ok). Then press **GO** to return to the PICTURE ADJUSTMENTS menu.

Geometry adjustments

For geometry adjustments a standard 4:3 test pattern (e.g. Philips) should be used. Geometry adjustments have to be done in format 1 (4:3) and format 2 (16:9).

- Enter Service Mode select MONITOR and select GEOMETRY ADJUSTMENTS.

Some of the adjustments are fixed and should not be adjusted:

Vertical S-Correction (V-SC)	35 Format 1	32 Format 2
Horizontal sensitivity (EHT)	0 Format 1 & 2	
Vertical Zoom (V-ZO)	25 Format 1 & 2	
Vertical Scroll (VSCR)	31 Format 1 & 2	
Vertical Wait (V-WA)	15 Format 1 & 2	

The adjustments must be done first in format 1 (4:3).

- Press **V.TAPE** to get a black picture.
- Adjust the SCREEN potentiometer in the EHT transformer until the picture turns grey.
- Enter Service Mode and select the MONITOR line.
- Select the GEOMETRY ADJUSTMENTS line.
- Place the cursor on a line by means of **▲** and **▼** Press **GO** to select the line. Now a small menu appears on the screen. It is possible to switch between the small menus by means of **▲** and **▼** buttons.

- Select the H-AM (Horizontal AMplitude) line and adjust until the picture is inside the phosphor edge in both sides of the picture. Select the H-CENTER (Horizontal Centering) line and adjust until the grey picture is just outside the phosphor edge in the right hand side of the picture and 6mm inside the picture in the left hand side. Select the H-AM line and adjust to correct picture width.
- Make the G2 adjustment as described in PICTURE ADJUSTMENTS.

Vertical Shift (V-SH)

- Set BLANKING to 1. Adjust V-SH until the blanking is at the vertical centre of the screen (i.e. 184mm from the top of the picture). Set BLANKING to 0.

Vertical Amplitude (V-AM)

- Adjust V-AM so that the picture fits at the top (i.e. 7mm from the top of the picture to the top of the circle).

Vertical Slope (V-SL)

- Adjust V-SL so that the picture fits at the bottom (i.e. 7mm from the bottom of the picture to the bottom of the circle).

Horizontal Phase (H-PH)

- Adjust H-PH to the correct centering of the picture.

Horizontal Amplitude (H-AM)

- Adjust H-AM to the correct width of the picture.

East/West Parabola (EW-P)

- Adjust EW-P to the correct geometry at the sides. The middle part of the vertical lines must be as straight as possible.

East/West Upper Corner (EWUC)

- Adjust EWUC to the correct geometry at the upper corners.

East/West Lower Corner (EWLC)

- Adjust EWLC to the correct geometry at the lower corners.

East/West Trapezium (EW-T)

- Adjust EW-T to the correct geometry.

Horizontal PARallelogram (H-PA)

- Adjust H-PA to the correct geometry.

Horizontal BOW (BOW)

- Adjust BOW until the vertical line at the center of the picture is straight.

It may be necessary to repeat some of the adjustments.

- Write down the values for H-PH, EWLC, BOW, H-CT and V-SH.
- Press **GO** to store the adjustments.

Exit Service Mode.

Geometry adjustments in format 2 (16:9)

Only the adjustments mentioned has to be done.

- Switch the TV ON.
- Toggle on **LIST** until the Beo4 display shows **FORMAT**, then press **GO** and **2** to select **FORMAT 2**.
- Enter Service Mode and select the **MONITOR** line.
- Select the **GEOMETRY ADJUSTMENTS** line.

When selecting an adjustment item the picture must change to 16:9.

- Adjust **H-PH**, **EWLC**, **BOW**, **H-CT** and **V-SH** to the values from format 1 and check the fixed values for format 2, see previous page.

Vertical Amplitude (V-AM)

- Adjust **V-AM** so that the picture fits at the top (i.e. 8mm from the top of the picture to the top of the circle).

Vertical Slope (V-SL)

- Adjust **V-SL** until there is 99mm from the bottom of the circle to the bottom of the visible screen.

Horizontal Amplitude (H-AM)

- Adjust **H-AM** to the correct width of the picture.

Horizontal Phase (H-PH)

- Adjust **H-PH** to the correct centering of the picture.

East/West Parabola (EW-P)

- Adjust **EW-P** to the correct geometry at the sides. The middle part of the vertical lines must be as straight as possible.

East/West Upper Corner (EWUC)

- Adjust **EWUC** to the correct geometry at the upper corners.

East/West Trapezium (EW-T)

- Adjust **EW-T** to the correct geometry.

Horizontal PArallelogram (H-PA)

- Adjust **H-PA** to the correct geometry.

It may be necessary to repeat some of the adjustments.

- Press **GO** to store the adjustments.

Exit Service Mode.

SERVICE MODE

The Service Mode consists of two parts: Service menu and ignore mode. On page 5.1 see an overview of the Service Mode menus, and operation in Service Mode.

SERVICE MENU

The STAND line is only shown if the TV is fitted with motorized stand. The function is described in the section on adjustments.

MONITOR SERVICE MENU

The PICTURE ADJUSTMENTS and GEOMETRY ADJUSTMENTS lines are described in the section on adjustments.

MONITOR INFORMATION

- Software version numbers
The "STB SW 1.0" line is only shown if the M2 Processor, 11C200 SDA6000, is fitted with set top box controller software.
The "STB TABLE 1.0" line shows the version of conversion of set top box remote control codes into Beo4 codes.
- Type, item and serial numbers
- Theft protection status. Shows if the Master code is correctly entered (STORED/NOT STORED)
- Option programming
- Latest five TV errors
- Latest ML error
- Latest AVL error from the V.TAPE and AV sockets

OPTION SETTING

Option 0 = The IR receiver of the TV is disconnected.

Option 1 = The TV and the Audio system (BeoLink system) are placed in the same room.

Option 2 = The TV and the Audio system (BeoLink system) are placed in different rooms.

Option 5 = The TV and the Audio system (BeoLink system) are placed in the same link room.

Option 6 = The TV is the only product in the link room.

ERROR:TV

The TV is able to detect certain types of error and display them on the screen.

The five latest TV errors are shown as error codes and displayed with the month/date (four digits) as provided by the system clock. The most recent error is displayed at the top. As the TV has no hardware clock the displayed month/date will not be correct, but can be used to see if more errors have occurred at the same date.

The following TV error types can be displayed:

....	No error registered
DF	Data failure
POR1	Power on reset failure 1
POR2	Power on reset failure 2
PDD	Power down detected failure
XX-YZ	(XX = IIC address Y = IIC bus 1 or bus 2 Z = any IIC bus segment A/B/C/D)

ML error codes are for detection of errors in the Master Link system.

. . . .	No error registered
CI	Address configuration impossible
TD	ML data pulled down
TU	ML data pulled up
??	Other undefinable error possibilities
NH	No Hardware. There is no Master Link PCB in the TV

AVL error codes from the V.TAPE and AV sockets

. . . .	No error registered
TI	Transmission impossible
TD	Data link tied down

Motorized stand error codes

ST-01	Calibration error too few positions
ST-02	Calibration error too many positions
ST-03	Calibration error EEPROM
ST-04	Calibration error transducer
ST-05	Calibration error position

After repair of an error that has triggered the display of an error code, the error code has to be deleted. This is done by pressing **GO** in the MONITOR INFORMATION menu.

IIC bus error

An IIC bus error means that the communication on the bus fails when the microcomputer tries to communicate with the address in question.

In most cases this means that the addressed IC is defective but the defect could also be in one of the components surrounding the IC or in other components on the bus. Addresses in connection with IIC bus errors:

IC	Function	On modes	Adr	Clock	BUS
1IC100 TDA9321H	Colour decoder & IF (HIP)	AV	8A	100 kHz	IIC-2A
1TU1 CTF5510	TV tuner	V	C0	100 kHz	IIC-2A
1IC200 SDA6000	M2 Processor	AV	22	400 kHz	IIC-2D
63IC1 TDA8722M	Modulator	AV	C8	100 kHz	IIC-2A
64IC2 TDA7315	Power Link	AV	80	100 kHz	IIC-2B
6IC2 H8/3216	IOP Main processor	SAV	60	400 kHz	IIC-2D
32IC601 H8/3214	Digital Sound AC3	AV	84	100 kHz	IIC1
1IC550 MSP3410D	Sound processor	AV	80	100 kHz	IIC-2C
1IC350 TDA9330H	Video processor (HOP)	V	8C	100 kHz	IIC-3_2
1IC300 TDA9178	CTI	V	40	400 kHz	IIC-3_2
1IC49 PCF8563	Real-time clock	S	A2	100 kHz	IIC1

On modes:

S - Standby mode
A - Audio mode
V - Video mode

Data failure (DF)

If an error occurs in the EEPROM (6IC6) that prevents output of geometry data to the TV set, the microcomputer will replace the missing data with default data stored in the EPROM (6IC3) module 999.

Power on reset failure 1 (POR1)

Reset or update failure of 1IC100 (TDA9321H module 999) during start up.

Power on reset failure 2 (POR2)

Reset or update failure of 1IC350 (TDA9330H module 999) during start up.

Power down detected failure (PDD)

Power down failure detected on 1IC300 (TDA9178 module 999).

Address configuration impossible (CI)

Error during address configuration. No address has been allocated because an excessive number of units has been connected to the Master Link.

- Disconnect all units from the link and reconnect them again one at a time.

ML data pulled down (TD)

The link is pulled down (Low). This error can occur in the form of a physical short circuit in the link. In the link drivers, or in the ML master/source circuit module 51 in the TV.

ML data pulled up (TU)

The link is pulled up (High). This error can occur in the form of a physical short circuit in the link. In the link drivers, or in the ML master/source circuit module 51 in the TV.

Transmission impossible (TI)

It is not possible to send data to pin 8 on the V.TAPE or AV socket, probably because of noise.

Data link tied down (TD)

The data link connection to pin 8 on the V.TAPE or AV socket is short circuited to ground.

Calibration error too few positions (ST-01)

Not enough positions are read during Stand calibration. The Stand may be blocked.

Calibration error too many positions (ST-02)

Too many positions are read during Stand calibration.

Calibration error EEPROM (ST-03)

Failure when the Stand offset should be stored in the EEPROM.

Calibration error transducer (ST-04)

An invalid position is read from the transducer.

Calibration error position (ST-05)

Several readings from the transducer with the Stand in the same position.

IC INFORMATION

Shows the version numbers for the IC's mentioned.

MSP = 1IC550 (MSP3410D), HIP = 1IC100 (TDA9321H)

PICTP = 1IC300 (TDA9178), HOP = 1IC350 (TDA9330H)

SERVICE COUNTERS

AUDIO = audio mode, the EHT voltage is off.

EXT.AUDIO = extended audio mode, the EHT voltage is off but there is supply voltage on all other TV circuits.

VIDEO = audio/video mode.

ON (T*10) = shows how many times the set has been turned on from stand by.

(T*10) = The numbers are stated in interval of 10 (e.g. 10 = 100).

The number is given in full tens.

The values are stored in the EEPROM. If faulty readings of the values in the EEPROM occur all service counter values will be set to 0.

SOUND ADJUSTMENTS

LEFT and RIGHT TREBLE/BASS are for future use.

AVC = Automatic Volume Control, can be set to OFF when measuring in the audio circuits. The AVC is set to ON when the TV has been turned off by means of the mains switch.

AVC = Automatic Volume Control, can be set to OFF when measuring in the audio circuits. The AVC is set to ON when the TV has been turned off by means of the mains switch.

- MAX VOLUME LIMIT: Can e.g. be used to limit the max. volume regulations on TV's placed in hotel rooms.
- Software version for the Digital Surround Decoder (AC3). Is only shown if an AC3 decoder is present in the TV.

TELETEXT ADJUSTMENTS

WSS STATUS: Used for automatic switching to Digital Dolby Surround Sound if there is WSS codes in the signal.

BROADCAST ONLY: Only switching on signal from the TV tuner.

DETECT ON: Switching on signals from all sources TV tuner, DVD playback, V TAPE and AV sockets.

DETECT OFF: Used under certain conditions, e.g. a poor signal-to-noise ratio, the detection may fail, which may entail faulty swithing.

Selecting "B&O LANGUAGE" makes it possible to choose among 7 different teletext character sets.

- | | |
|---|---|
| 0 | English, German, Swedish, Italian, French, Portuguese, Slovak |
| 1 | Polish, German, Swedish, Italian, French, Croatian, Slovak, Rumanian |
| 2 | English, German, Swedish, Italian, French, Portuguese, Turkish |
| 3 | English, Russian, Estonian, Czech, German, Lithuanian, Ukrainian |
| 4 | English, German, Swedish, Italian, French, Portuguese, Turkish, Greek |
| 5 | English, Arabic, French |
| 6 | English, Hebrew, Arabic |

If language 3 to 6 are choosen it is not possible to receive teletext level 2.5 d/r/c/s characters.

If language 3 to 6 are choosen it is not possible to make animation in the programme list in teletext mode.

M2 INFORMATION

- Software versions for the teletext processor 11C200 SDA6000.
- STB TIMER: Is default set to 0 but can be altered if timing problems occurs during start up with certain Set Top Boxes.
- HW STATUS: For factory use

RESET TO DEFAULT

When this line is selected the settings will be defined.

- All TV and radio programmes are cleared.
- The V.TAPE and AV sockets are set to NONE.
- In the PICTURE ADJUSTMENT service menu the values for brilliance, colour and contrast are set to default.
- All programme lists are cleared.
- The TV SETUP TUNE menu will be shown the first time the TV is switched on.
- OPTION is set to 2.
- The theft protection setup is not changed.

When RESET TO DEFAULT is selected a text "PLEASE WAIT 30 SEC." is displayed. While the text is displayed no operation must be done. When the text disappears Service Mode is exited.

TV SERVICE MENU

In TUNER SYSTEM it is possible to set only relevant tuner systems to ON (only multi standard TV's). This is done to reduce the tuning time.

AFC ON/OFF is used in connection with adjustments but it may also be useful in other situations.

The AFC is set to ON when the TV has been turned off by means of the mains switch.

LOW TUN RANGE	45
HIGH TUN RANGE	860
LOWER BAND LIMIT	170
UPPER BAND LIMIT	450

VHF-1 CONSTANT	161
VHF-2 CONSTANT	146
UHF CONSTANT	52

These items are for factory use.

TUNER TAKEOVER	26
IF ADJUST	8
AFC STATUS	O/H
FM SOUND ADJUST	14
MODULATOR SYSTEM	B/G

These items are described in the section on adjustments.

Bus ignore mode

If an error occurs in the IIC bus system which makes the TV go into stand by every time it is attempted to be switched on, it is possible to switch on the TV in such a way that the error is ignored:

- The TV must be in stand by.
- Short-circuit the two solder pads (marked J40 coordinate 11A on PCB1).
- Press **TV**. The TV will now start up in bus ignore mode with service menu if possible.
IMPORTANT! If the TV is started up in ignore mode it may result in further damage to the TV.
- Exit ignore mode. Turn off the TV.

THEFT PROTECTION

The theft protection is a 4 digit PIN-code, of the user's own choice, which must be entered if the TV has been disconnected from the mains for 30 min.

The theft protection is always deactivated from the factory, it is up to the user to activate it.

If the theft protection is activated, and the TV has been without mains for 15-30 min., the user will be asked to enter the 4 digit PIN-code when the TV is switched on.

Before the TV is handed in to service it is a good idea to ask the customer to deactivate the theft protection.

Service code

If the PIN-code is activated and the product is in a service situation, there is a possibility of 12 hours service by entering a 5 digit Service code which is 1 1 1 1 1. This gives 12 hours of full functionality to service the product and make module changes without naming/registering the replaced modules to the customer's product. The 12 hours are only running when the product is connected to the mains!

If the customer's PIN-code or Master-code is entered the replaced modules will be named/registered to the product. Registration of the modules cannot be changed.

The Service code can be entered when the TV has been disconnected from the mains for 15-30 min.

When the TV is switched on a PINCODE menu appears. Now press ◀ (rewind) for three seconds and a MASTERCODE menu appears, and the Service code 1 1 1 1 1 can be entered, then press GO.

Replacing the Main microcomputer PCB6

When replacing the electrical chassis including PCB6 remember to move the EEPROM 6IC6 from the defective PCB6 to the new PCB6, because it contains valuable data (Serial no., PIN-code etc.).

The data is not transferred to the new module until you have been in contact with the theft protection or after 12 hours of connection to the mains. This means that you can try out a new PCB6 without transferring the products serial no. Etc.

Note !

If you have tried out a new PCB6 and the serial no. has been transferred to the new PCB6 and it says that the old PCB6 is not defective, the new PCB6 can only be used for this specific product, it must be returned to Bang & Olufsen to be erased again.

If the product functions are OK the theft protection is also OK. There is no need for testing the functionality of the theft protection.

Replacing of both PCB6 and EEPROM 6IC6

If both PCB6 and the EEPROM 6IC6 need to be replaced it is necessary to have them pre-programmed from Bang & Olufsen with the correct serial no., otherwise they will not work.

Please contact Bang & Olufsen.

Activate the PIN code system

Select the TV SETUP menu.

Press ◀ twice and then STOP to bring up the PINCODE SETUP menu.

Enter the 4 digit Pin-code on Beo4.

Press GO after the last digit is entered. Re-enter the code to confirm it and press GO.

If you want to change or delete the PIN-code, enter the correct PIN-code and press GO.

It is now possible to change the PIN-code or delete the PIN-code.

Enter the PIN code

If the PIN-code system is activated and the TV is disconnected from the mains for more than 30 minutes, a PINCODE menu appears as soon as the TV is switched on. Enter the PIN-code digits, and press **GO** when the last digit is entered, then the TV starts again.

If the PIN code has been forgotten

If the PIN-code has been forgotten (5 tries within 3 hours with the mains connected), the only way to unlock the TV again is by entering a 5 digit Master-code. The Master-code is ordered by sending a request either via the Retail System or on the Master-code formula. If non of these options are available please contact Bang & Olufsen.

When the TV prompts for a PIN-code, press and hold **◀** down to bring up the **MASTERCODE** menu.

Enter the Master-code and press **GO**. This will deactivate the PIN-code and reactivate the TV.

ABO-CENTER V/HENRIKSENS ELEKTRONIK

Flash-programming of the M2 processor

It is not possible to built-in a Set-top-Box Controller module in the chassis. The Set-top-Box Controller is software (STB-C software and STB-C table) - which has to be flash-programmed into a processor - the M2 processor. The application software for the M2 processor can be flash-programmed. For this purpose Bang & Olufsen has developed a "Flash Tool" which is a PC/ LapTop application for installation/updating the STB-C software and the M2 application software.

Tools needed for flash-programming

- PC/LapTop with Bang & Olufsen "Flash Tool" application (can be downloaded from the Retail System).
- Cable kit no. 3375397.

Flash-programming

Updating M2 software

(the IR Output socket is not present)

If the IR Output socket is not present the only software that has to be updated is the M2 application software.

- Disconnect the mains from the TV set.
- Remove the rear cover (see page 6.7).
- Only connect Cable kit to 1P51.
- Start the "Flash Tool", choose "Products" and follow the on-screen instruction on the PC.

Installation/Updating software

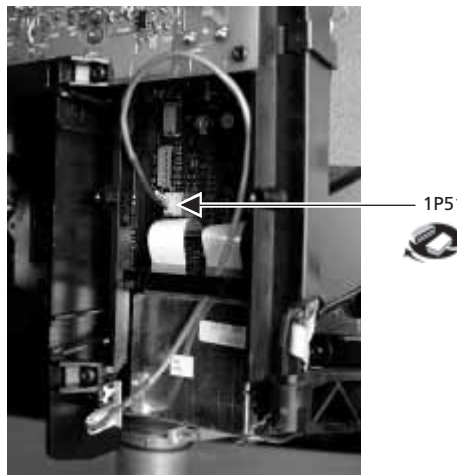
(the IR Output socket is present)

When the TV set is equipped with the IR Output socket it is possible to install/ update both the M2 application software and the STB-C software via this connection.

- Disconnect the mains from the TV set.
- Start the "Flash Tool", choose "Products" and follow the on-screen instruction on the PC.

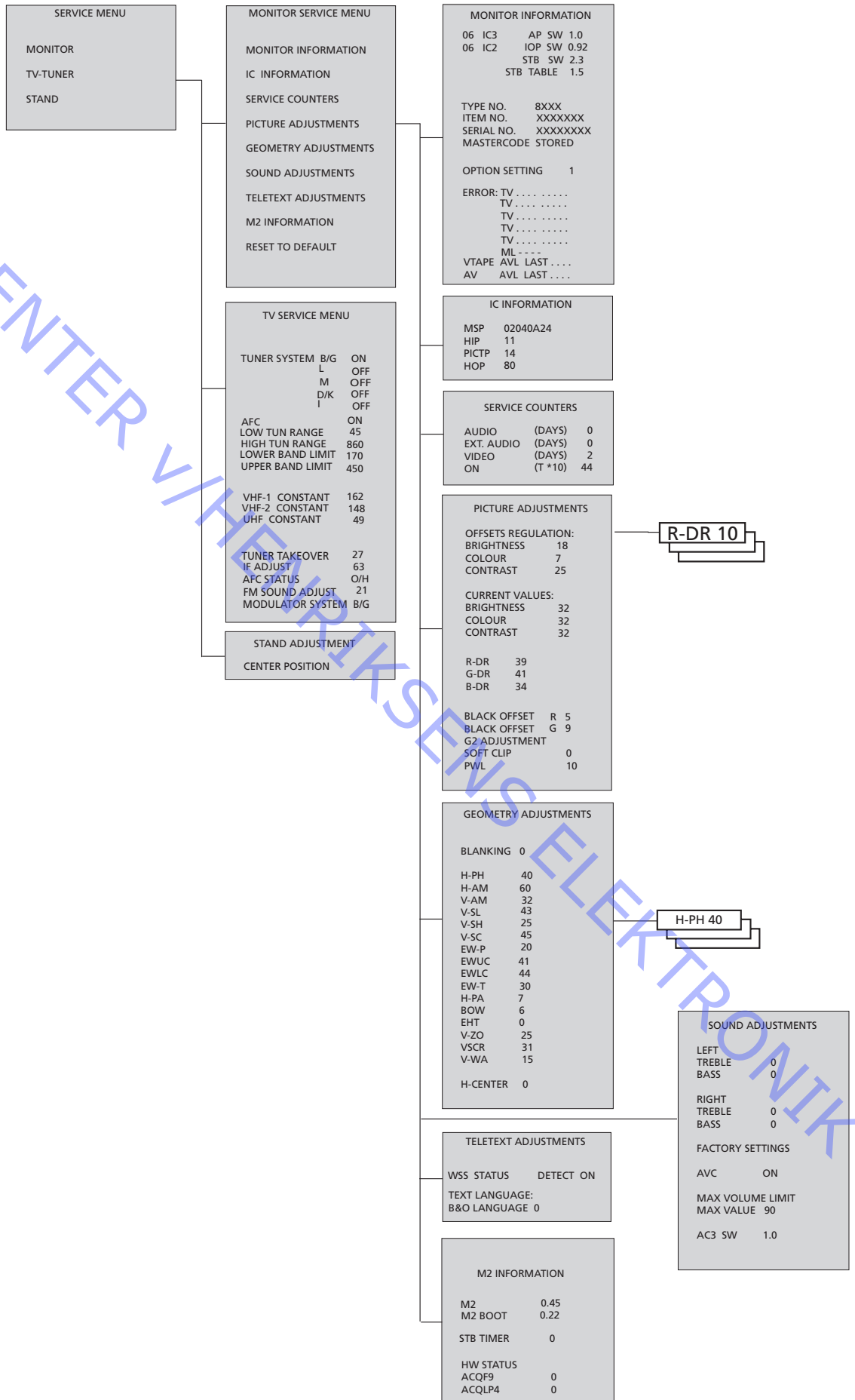
Note!

Software versions can be checked in the "Service Menu".



EINSTELLUNGEN

Die meisten Einstellungen werden im Service-Modus vorgenommen. Hier sehen Sie eine Übersicht über die Menüs des Service-Modus.



Servicemodus aktivieren

Ein SETUP Menü wählen.

Beo4: **0 0 GO** innerhalb von 3 Sekunden drücken.

Normalen Menübetrieb wählen, um den Servicemodus zu verlassen.

Betrieb im Servicemodus

Beo4	Funktion
EXIT	Blendet die Menüs aus
GO	- Wählt das Untermenü der Menüzeile, auf der sich der Cursor befindet - Speichert die gewählten Werte und kehrt zum SERVICE MENU zurück - Löscht Fehlercodes im MONITOR INFORMATION Menü und kehrt zum SERVICE MENU zurück
▲	Verschiebt den Cursor nach oben und kehrt zum vorherigen Menü zurück
▼	Verschiebt den Cursor nach unten und wählt in bestimmten Fällen ein Untermenü
◀ ▶	Wählt neue Werte in den Menüs und in bestimmten Fällen ein Untermenü

Achtung!

Wenn das Chassis mit dem AV-Signalprozessor PCB1, dem Videoausgang PCB3, der Stromversorgungs- und Ablenkeinrichtung PCB4 und dem Haupt-Mikrocomputer PCB6 ersetzt wird, muß das alte EEPROM 61C6 auf das neue PCB6 übernommen werden, damit kein Datenverlust entsteht.

An der unteren linken Ecke des AV-Signalprozessors PCB1 befindet sich ein kleines Etikett mit den Einstellwerten für TUNER TAKEOVER, IF ADJUST und FM SOUND ADJUST. Diese Werte müssen in den alten EEPROM eingetragen werden.

Wenn der PCB6 ersetzt wird, müssen der alte EEPROM 61C6 ebenfalls am neuen PCB6 montiert werden.

Stand (nur TV-Geräte mit Motor-Drehfüßen)

Einzustellen, wenn das Getriebe mit der Motor-Drehfuß-Steuerung PCB92 im TV-Gerät montiert ist bzw. ein Teil des elektrischen Chassis ersetzt wurde, das PCB6 mit dem EEPROM 61C6 enthält.

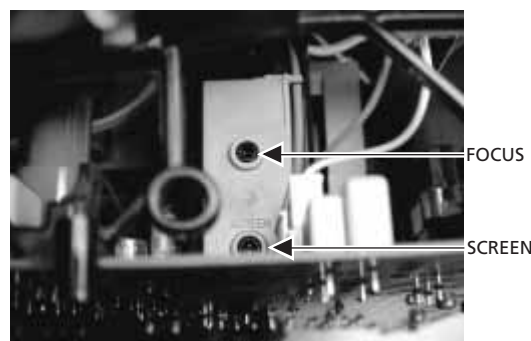
- Servicemodus aktivieren und STAND wählen.
- **GO** drücken; wenn CALIBRATION OK angezeigt wird, ist die Mittenposition des Motor-Drehfußes gefunden.

Für die folgenden Einstellungen muss ein 4:3 Standard-Testbild (z.B. Philips) benutzt werden.

Focus

- Mit FOCUS-Potentiometer im EHT-Transformator optimalen Fokus der vertikalen Linien etwa 10 cm vom Bildschirmrand aus gesehen einstellen (siehe >6).

>6



Bildeinstellungen

Bildeinstellungen müssen im Format 1 (4:3) und in einem dunklen Raum erfolgen.

- PICTURE im OPTIONS Menü wählen und mittlere Werte für BRIGHTNESS, CONTRAST und COLOUR einstellen. **GO** zum Speichern drücken.
- Servicemodus aktivieren und MONITOR wählen.
- PICTURE ADJUSTMENTS wählen.
- Die Werte für BRIGHTNESS, CONTRAST und COLOUR unter CURRENT VALUES müssen 32 sein.

Einige der Einstellungen sind fest und dürfen nicht geändert werden:

- OFFSETS REGULATIONS:

BRIGHTNESS	18
CONTRAST	25
COLOUR	7
SOFT CLIP	0
PWL	10
- R-DR, G-DR und B-DR auf korrekten Weißwert einstellen.
- PAL/NTSC-Signale:
 - Ein PAL-Signal an das TV-Gerät anschließen und BLACK OFFSET R sowie BLACK OFFSET G auf korrekten Grauwert einstellen.
- SECAM-Signale:
 - Ein SECAM-Signal an das TV-Gerät anschließen und BLACK OFFSET R sowie BLACK OFFSET G auf korrekten Grauwert einstellen.
- G2-Einstellung (siehe >6).
- H-CENTER unter GEOMETRY ADJUSTMENTS muss vor G2 eingestellt werden.
- G2 ADJUSTMENT im PICTURE ADJUSTMENTS Menü durch Drücken von **▶** wählen. Der Bildschirm wird nun dunkel. Einstellung mit dem SCREEN-Potentiometer im EHT-Transformator vornehmen, bis die Standby-LED grün wird (rot = G2 zu hoch, gelb = G2 zu niedrig, grün = G2 ok). Dann **GO** drücken, um zum PICTURE ADJUSTMENTS Menü zurückzukehren.

Geometrieinstellungen

Für Geometrieinstellungen muss ein 4:3 Standard-Testbild (z.B. Philips) benutzt werden.

Geometrieinstellungen müssen in Format 1 (4:3) und Format 2 (16:9) erfolgen.

- Servicemodus aufrufen, MONITOR und dann GEOMETRY ADJUSTMENTS wählen. Einige der Einstellungen sind fest und dürfen nicht geändert werden:

Vertikale S-Korrektur (V-SC)	35 Format 1	32 Format 2
Horizontalempfindlichkeit (EHT)	0 Format 1 & 2	
Vertical Zoom (V-ZO)	25 Format 1 & 2	
Vertical Scroll (V-SCR)	31 Format 1 & 2	
Vertical Wait (V-WA)	15 Format 1 & 2	

Die Einstellungen müssen zuerst im Format 1 (4:3) erfolgen.

- **V.TAPE** für schwarzes Bild drücken.
- Einstellung mit dem SCREEN-Potentiometer im EHT-Transformator vornehmen, bis das Bild grau wird.
- Servicemodus aktivieren und MONITOR wählen.
- GEOMETRY ADJUSTMENTS wählen.
- Cursor mit **▲** oder **▼** auf eine Zeile verschieben, **GO** zur Wahl der Zeile drücken. Nun erscheint ein kleines Menü auf dem Bildschirm. Zwischen den kleinen Menüs kann mit den Tasten **▲** und **▼** umgeschaltet werden.
- Zeile H-AM (Horizontalamplitude) wählen und so einstellen, bis sich das Bild innerhalb der Phosphorränder an beiden Bildrändern befindet. Zeile H-CENTER (horizontale Zentrierung) wählen und so einstellen, dass das graue Bild am rechten

Rand gerade außerhalb des Phosphorrands und am linken Rand 6 mm in das Bild verschoben ist.

H-AM wählen und die richtige Bildbreite einstellen.

- G2-Einstellung wie unter PICTURE ADJUSTMENTS beschrieben vornehmen.

Vertikalverschiebung (V-SH)

- BLANKING auf 1 einstellen. V-SH so einstellen, dass sich die Austastung in der vertikalen Bildmitte befindet (d.h. 184 mm unterhalb des oberen Bildrands). BLANKING auf 0 einstellen.

Vertikalamplitude (V-AM)

- V-AM auf richtigen Abstand am Oberrand einstellen (d.h. 7 mm zwischen Oberrand des Bilds und des Kreises).

Vertikalflanke (V-SL)

- V-SL auf richtigen Abstand am Unterrand einstellen (d.h. 7 mm zwischen Unterrand des Bilds und des Kreises).

Horizontalphase (H-PH)

- H-PH für richtige Bildzentrierung einstellen.

Horizontalamplitude (H-AM)

- H-AM für richtige Bildbreite einstellen.

Ost/West-Parabeleinstellung (EW-P)

- EW-P für richtige Bildgeometrie an den Seiten einstellen. Die Mitte der vertikalen Linien muss so gerade wie möglich sein.

Ost/West-Einstellung obere Bildecken (EWUC)

- EWUC für richtige Bildgeometrie an den oberen Bildecken einstellen.

Ost/West-Einstellung untere Bildecken (EWLC)

- EWLC für richtige Bildgeometrie an den unteren Bildecken einstellen.

Ost/West-Trapezeinstellung (EW-T)

- EW-T für richtige Bildgeometrie einstellen.

Horizontalparallelogramm (H-PA)

- H-PA für richtige Bildgeometrie einstellen.

Horizontalbogen (BOW)

- BOW so einstellen, dass die vertikale Linie in Bildmitte gerade ist.

Einige dieser Einstellungen müssen ggf. wiederholt werden.

- Werte für H-PH, EWLC, BOW, H-CT und V-SH notieren.

- **GO** drücken, um die Einstellungen zu speichern.

Servicemodus verlassen.

Geometrieinstellungen im Format 2 (16:9)

Es müssen nur die beschriebenen Einstellungen erfolgen.

- TV-Gerät einschalten.
- **LIST** drücken, bis die Beo4 FORMAT anzeigt, dann **GO** und **2** drücken, um FORMAT 2 zu wählen.
- Servicemodus aktivieren und **MONITOR** wählen.
- **GEOMETRY ADJUSTMENTS** wählen.
Bei der Wahl einer Einstellmöglichkeit muss sich das Bildformat in 16:9 ändern.
- **H-PH**, **EWLC**, **BOW**, **H-CT** und **V-SH** auf die Werte von Format 1 einstellen und die Festwerte für Format 2 prüfen, siehe vorherige Seite.

Vertikalamplitude (V-AM)

- **V-AM** auf richtigen Abstand am Oberrand einstellen (d.h. 8 mm zwischen Oberrand des Bilds und des Kreises).

Vertikalflanke (V-SL)

- **V-SL** auf einen Abstand des Kreisunterrands von ca. 99 mm zum unteren Rand des sichtbaren Bilds einstellen.

Horizontalamplitude (H-AM)

- **H-AM** für richtige Bildbreite einstellen.

Horizontalphase (H-PH)

- **H-PH** für richtige Bildzentrierung einstellen.

Ost/West-Parabeleinstellung (EW-P)

- **EW-P** für richtige Bildgeometrie an den Seiten einstellen. Die Mitte der vertikalen Linien muss so gerade wie möglich sein.

Ost/West-Einstellung obere Bildecken (EWUC)

- **EWUC** für richtige Bildgeometrie an den oberen Bildecken einstellen.

Ost/West-Trapezeinstellung (EW-T)

- **EW-T** für richtige Bildgeometrie einstellen.

Horizontalparallelogramm (H-PA)

- **H-PA** für richtige Bildgeometrie einstellen.

Einige dieser Einstellungen müssen ggf. wiederholt werden.

- **GO** drücken, um die Einstellungen zu speichern.

Servicemodus verlassen.

SERVICEMODUS

Der Servicemodus besteht aus zwei Teilen: Service-Menü und Bus-Ignore-Modus. Auf S. 5.15 sehen Sie eine Übersicht über die Servicemodus-Menüs und den Betrieb im Servicemodus.

SERVICE MENU

Die Zeile STAND erscheint nur, wenn das TV-Gerät mit einem Motor-Drehfuß ausgestattet ist. Die Funktion ist im Abschnitt zu Einstellungen beschrieben.

MONITOR SERVICE MENU

Die Zeilen PICTURE ADJUSTMENTS und GEOMETRY ADJUSTMENTS sind im Abschnitt zu Einstellungen beschrieben.

MONITOR INFORMATION

- Software-Versionsnummern
Die Zeile "STB SW 1.0" erscheint nur, wenn der M2 Prozessor 1IC200 SDA6000 mit Set-top Box Controller-Software ausgestattet ist.
Die Zeile "STB TABLE 1.0" zeigt die Version der Konvertierung von Set-top Box Fernsteuerungscodes in Beo4 Codes.
- Typ, Artikel und Seriennummern
- Diebstahlschutz-Status. Zeigt, ob der Mastercode richtig eingegeben ist (STORED/ NOT STORED)
- Optionsprogrammierung
- Letzte fünf TV-Fehler
- Letzter ML-Fehler
- Letzter AVL-Fehler von den V.TAPE- und AV-Buchsen

OPTION SETTING

- Option 0 = Der IR-Empfänger des TV-Geräts ist nicht angeschlossen.
- Option 1 = Das TV-Gerät und das Audiosystem (BeoLink-System) befinden sich im gleichen Raum.
- Option 2 = Das TV-Gerät und das Audiosystem (BeoLink-System) befinden sich in verschiedenen Räumen.
- Option 5 = Das TV-Gerät und das Audiosystem (BeoLink-System) befinden sich im gleichen Linkraum.
- Option 6 = Das TV-Gerät ist das einzige Gerät im Linkraum.

ERROR:TV

Das TV-Gerät kann bestimmte Fehlertypen erkennen und auf dem Bildschirm anzeigen.

Die fünf letzten Gerätefehler werden als Fehlercodes und mit der durch die Systemzeit gelieferten Angabe von Monat/Tag (vierstellig) ihres Auftretens angezeigt. Der zuletzt aufgetretene Fehler erscheint oben. Da das TV-Gerät keine Hardware-Uhr hat, ist die Monats-/Tagesangabe nicht richtig, sie kann aber benutzt werden, um zu prüfen, ob zum gleichen Zeitpunkt weitere Fehler aufgetreten sind.

Die folgenden TV-Fehlertypen können angezeigt werden:

....	Kein Fehler registriert
DF	Datenfehler
POR1	Einschalt-Rücksetzungsfehler 1
POR2	Einschalt-Rücksetzungsfehler 2
PDD	Fehler im Ausschaltzustand
XX-YZ	(XX = IIC-Adresse Y = IIC-Bus 1 oder Bus 2 Z = beliebiges IIC-Bus-Segment A/B/C/D)

ML-Fehlercodes dienen der Fehlererkennung im Master Link-System.

. . . .	Kein Fehler registriert
CI	Adressenkonfiguration unmöglich
TD	ML-Daten auf Masse gezogen
TU	ML-Daten auf 'High' gezogen
??	Weitere undefinierbare Fehlermöglichkeiten
NH	Keine Hardware. Im TV-Gerät ist keine Master Link PCB eingebaut

AVL-Fehlercodes von den V.TAPE- und AV-Buchsen

. . . .	Kein Fehler registriert
TI	Übertragung unmöglich
TD	Datenverbindung blockiert

Motor-Drehfuß-Fehlercodes

ST-01	Kalibrierungsfehler zu wenige Positionen
ST-02	Kalibrierungsfehler zu viele Positionen
ST-03	Kalibrierungsfehler EEPROM
ST-04	Kalibrierungsfehler Transducer
ST-05	Kalibrierungsfehler Position

Nach der Beseitigung eines Fehlers, der die Anzeige eines Fehlercodes verursacht hat, muss der Fehlercode gelöscht werden. Hierzu **GO** im MONITOR INFORMATION Menü drücken.

IIC-Bus-Fehler

Ein IIC-Bus-Fehler bedeutet, dass die Bus-Kommunikation fehlschlägt, wenn der Mikroprozessor versucht, mit der entsprechenden Adresse zu kommunizieren. In den meisten Fällen bedeutet dies, dass das adressierte IC defekt ist. Der Fehler kann aber auch in einer der Peripheriekomponenten des ICs oder anderen Bus-Komponenten liegen. Adressen in Zusammenhang mit IIC-Bus-Fehlern:

IC	Function	On modes	Adr	Clock	BUS
1IC100 TDA9321H	Colour decoder & IF (HIP)	AV	8A	100 kHz	IIC-2A
1TU1 CTF5510	TV tuner	V	C0	100 kHz	IIC-2A
1IC200 SDA6000	M2 Processor	AV	22	400 kHz	IIC-2D
63IC1 TDA8722M	Modulator	AV	C8	100 kHz	IIC-2A
64IC2 TDA7315	Power Link	AV	80	100 kHz	IIC-2B
6IC2 H8/3216	IOP Main processor	SAV	60	400 kHz	IIC-2D
32IC601 H8/3214	Digital Sound AC3	AV	84	100 kHz	IIC1
1IC550 MSP3410D	Sound processor	AV	80	100 kHz	IIC-2C
1IC350 TDA9330H	Video processor (HOP)	V	8C	100 kHz	IIC-3_2
1IC300 TDA9178	CTI	V	40	400 kHz	IIC-3_2
1IC49 PCF8563	Real-time clock	S	A2	100 kHz	IIC1

Einschaltmodi:

S - Standby-Modus
A - Audiomodus
V - Videomodus

Datenfehler (DF)

Wenn ein Fehler im EEPROM (6IC6) auftritt, der die Ausgabe von Geometriedaten zum TV-Gerät verhindert, ersetzt der Mikrocomputer die fehlenden Daten mit im EPROM (6IC3) Modul 999 gespeicherten Voreinstellungswerten.

Einschalt-Rücksetzungsfehler 1 (POR1)

Rücksetzungs- bzw. Aktualisierungsfehler von 1IC100 (TDA9321H Modul 999) beim Einschalten.

Einschalt-Rücksetzungsfehler 2 (POR2)

Rücksetzungs- bzw. Aktualisierungsfehler von 1IC350 (TDA9330H Modul 999) beim Einschalten.

Fehler im Ausschaltzustand (PDD)

Fehler im Ausschaltzustand an 1IC300 (TDA9178 Modul 999) erkannt.

Adressenkonfiguration unmöglich (CI)

Fehler bei Adressenkonfiguration. Es wurde keine Adresse zugeordnet, weil zu viele Geräte an Master Link angeschlossen sind.

- Alle Einheiten vom Link trennen und nacheinander erneut anschließen.

ML-Daten auf Masse gezogen (TD)

Der Link ist auf Masse gezogen (Low). Dieser Fehler kann durch einen Kurzschluss im Link verursacht werden bzw. in den Link-Treibern oder im ML-Master/Source-Modul 51 im TV-Gerät auftreten.

ML-Daten auf 'High' gezogen (TU)

Der Link ist auf 'High' gezogen. Dieser Fehler kann durch einen Kurzschluss im Link verursacht werden bzw. in den Link-Treibern oder im ML-Master/Source-Modul 51 im TV-Gerät auftreten.

Übertragung unmöglich (TI)

Es können – wahrscheinlich aufgrund von Störungen – keine Daten zu Pin 8 der V.TAPE- bzw. AV-Buchse gesendet werden.

Datenverbindung blockiert (TD)

Die Datenverbindung zu Pin 8 der V.TAPE- bzw. AV-Buchse ist gegen Masse kurzgeschlossen.

Kalibrierungsfehler zu wenige Positionen (ST-01)

Bei der Drehfußkalibrierung wurden zu wenige Positionen gelesen. Der Drehfuß kann blockiert sein.

Kalibrierungsfehler zu viele Positionen (ST-02)

Bei der Drehfußkalibrierung wurden zu viele Positionen gelesen.

Kalibrierungsfehler EEPROM (ST-03)

Fehler, wenn der Drehfuß-Offset im EEPROM gespeichert werden muss.

Kalibrierungsfehler Transducer (ST-04)

Vom Transducer wird eine ungültige Position gelesen.

Kalibrierungsfehler Position (ST-05)

Mehrere Werte vom Transducer bei Drehfuß in gleicher Position.

IC INFORMATION

Zeigt die Versionsnummern der aufgeführten ICs.

MSP = 1IC550 (MSP3410D), HIP = 1IC100 (TDA9321H)

PICTP = 1IC300 (TDA9178), HOP = 1IC350 (TDA9330H)

SERVICE COUNTERS

AUDIO = Audiomodus, die EHT-Spannung ist ausgeschaltet.

EXT.AUDIO = erweiterter Audiomodus, die EHT-Spannung ist ausgeschaltet, es liegt aber an allen anderen TV-Schaltungen Versorgungsspannung an.

VIDEO = Audio/Videomodus.

ON (T*10) = zeigt, wie oft das Gerät aus dem Standby eingeschaltet wurde.

(T*10) = Die Zahlen geben Zehnerintervalle an (z.B. 10 = 100).

Die Zahl wird als voller Zehnerwert angegeben.

Die Werte werden im EEPROM gespeichert. Bei falschem Lesen der Werte im EEPROM werden alle Servicezähler-Werte auf 0 zurückgesetzt.

SOUND ADJUSTMENTS

LEFT und RIGHT TREBLE/BASS sind für eine spätere Verwendung vorgesehen.

AVC = Automatische Lautstärkeregelung, kann zum Ausmessen der Audio-Schaltungen auf OFF geschaltet werden. Wenn das Fernsehgerät mittels Netzschalter ausgeschaltet wurde, wird die AVC auf ON geschaltet.

AVC = Automatische Lautstärkeregelung, kann bei Messungen an den Audioschaltungen auf OFF gestellt werden. Die AVC wird auf ON gesetzt, wenn das TV-Gerät mit dem Netzschalter ausgeschaltet worden ist.

- MAX VOLUME LIMIT: Kann z.B. zur Begrenzung der maximalen Lautstärke von in Hotelzimmern aufgestellten TV-Geräten benutzt werden.
- Softwareversion für den Digital Surround Decoder (AC3). Wird nur angezeigt, wenn ein AC3-Decoder im TV-Gerät eingebaut ist.

TELETEXT ADJUSTMENTS

WSS STATUS: Dient zum automatischen Umschalten auf Digital Dolby Surroundsound, wenn im Signal WSS-Codes vorhanden sind.

BROADCAST ONLY: Nur Signal vom TV-Tuner einschalten.

DETECT ON: Signale von allen Quellen wie TV-Tuner, DVD-Wiedergabe, V TAPE- und AV-Buchsen einschalten.

DETECT OFF: Wird unter bestimmten Bedingungen wie z.B. schlechtem Rauschabstand benutzt, wenn die Erkennung fehlschlägt, was zu fehlerhaftem Schalten führen kann.

Nach Wahl von "B&O LANGUAGE" kann unter sieben verschiedenen Videotext-Zeichensätzen gewählt werden.

- 0 Englisch, Deutsch, Schwedisch, Italienisch, Französisch, Portugiesisch, Slowakisch
- 1 Polnisch, Deutsch, Schwedisch, Italienisch, Französisch, Kroatisch, Slowakisch, Rumänisch
- 2 Englisch, Deutsch, Schwedisch, Italienisch, Französisch, Portugiesisch, Türkisch
- 3 Englisch, Russisch, Estnisch, Tschechisch, Deutsch, Litauisch, Ukrainisch
- 4 Englisch, Deutsch, Schwedisch, Italienisch, Französisch, Portugiesisch, Türkisch, Griechisch
- 5 Englisch, Arabisch, Französisch
- 6 Englisch, Hebräisch, Arabisch

Bei Wahl der Sprachen 3 bis 6 können keine Zeichen der Teletextebene 2.5 d/r/c/s empfangen werden.

Bei Wahl der Sprachen 3 bis 6 ist es nicht möglich, im Videotextmodus Animationen in der Programmliste vorzunehmen.

M2 INFORMATION

- Softwareversionen für den Videotextprozessor 1IC200 SDA6000.
- STB TIMER: Die Voreinstellung 0 kann geändert werden, wenn beim Einschalten mit bestimmten Set-top Boxen Timing-Probleme auftreten.
- HW STATUS: Für Werkseinstellungen

RESET TO DEFAULT

Bei Wahl dieser Zeile werden die Einstellungen definiert.

- Alle TV- und Radioprogramme werden gelöscht.
- Die V.TAPE- und AV-Buchsen werden deaktiviert (NONE).
- Im Servicemenü PICTURE ADJUSTMENT werden die Werte für Helligkeit, Farbe und Kontrast auf die Voreinstellungen gesetzt.
- Alle Programmlisten werden gelöscht.
- Beim ersten Einschalten des TV-Geräts wird das TV SETUP TUNE Menü angezeigt.
- OPTION wird auf 2 eingestellt.
- Die Einstellung des Diebstahlschutzes wird nicht geändert.

Bei Wahl von RESET TO DEFAULT erscheint der Text "PLEASE WAIT 30 SEC". Bei Anzeige dieser Meldung darf das Gerät nicht bedient werden. Wenn der Text verschwindet, wird der Servicemodus verlassen.

TV SERVICE MENU

Unter TUNER SYSTEM können nur relevante Tunersysteme aktiviert (ON) werden (nur Mehrnormen-Geräte). Hierdurch wird die Zeit für die Senderabstimmung verkürzt. AFC ON/OFF wird in Verbindung mit der Abstimmung benutzt. Die Funktion kann jedoch auch in anderen Situationen nützlich sein.

AFC wird aktiviert (ON), wenn das TV-Gerät mit dem Netzschalter ausgeschaltet wurde.

LOW TUN RANGE	45
HIGH TUN RANGE	860
LOWER BAND LIMIT	170
UPPER BAND LIMIT	450

VHF-1 CONSTANT	161
VHF-2 CONSTANT	146
UHF CONSTANT	52

Diese Einträge dienen für Werkseinstellungen.

TUNER TAKEOVER	26
IF ADJUST	8
AFC STATUS	O/H
FM SOUND ADJUST	14
MODULATOR SYSTEM	B/G

Diese Einträge sind im Abschnitt zu Einstellungen beschrieben.

Bus-Ignore-Modus

Wenn ein Fehler im IIC-Bussystem auftritt, der dazu führt, dass das TV-Gerät bei jedem Einschaltversuch in dem Standbybetrieb geht, kann das Gerät unter Ignorierung des Fehlers eingeschaltet werden:

- Das TV-Gerät muss sich im Standbybetrieb befinden.
- Zwei Lötflähen J40 (Koordinate 11A auf PCB1) kurzschließen.
- **TV** drücken. Das TV-Gerät geht nun in den Bus-Ignore-Modus mit Servicemenüanzeige, falls dies möglich ist.

WICHTIGER HINWEIS! Wenn das TV-Gerät im Bus-Ignore-Modus eingeschaltet wird, kann es noch stärker beschädigt werden.

- Bus-Ignore-Modus verlassen. TV-Gerät ausschalten.

DIEBSTAHLSCHUTZ

Der Diebstahlschutz ist ein vierstelliger PIN-Code nach Wahl des Benutzers, der eingegeben werden muss, wenn das Gerät länger als 30 min vom Netz getrennt wurde.

Der Diebstahlschutz ist ab Werk immer deaktiviert. Es liegt am Benutzer, ihn zu aktivieren.

Wenn der Diebstahlschutz aktiviert ist und das Gerät länger als 15-30 min vom Netz getrennt wurde, wird der Benutzer beim Einschalten des Geräts aufgefordert, den vierstelligen PIN-Code einzugeben.

Es empfiehlt sich, den Kunden zu bitten, den Diebstahlschutz vor Ablieferung des Geräts zum Service zu deaktivieren.

Servicecode

Wenn der PIN-Code aktiviert ist und das Produkt gewartet werden muss, ermöglicht die Eingabe des fünfstelligen Servicecodes 1 1 1 1 1 eine Servicezeit von 12 Stunden. In diesen 12 Stunden ist die volle Funktionalität für den Service des Produkts und für Modulwechsel ohne Umbenennung/Registrierung der ausgetauschten Module für das Kundenprodukt gegeben. Die Frist von 12 Stunden beginnt erst, wenn das Gerät an das Netz angeschlossen wird!

Wenn der PIN-Code des Kunden bzw. der Mastercode eingegeben wird, werden die ausgetauschten Module für das Gerät registriert. Die Registrierung von Modulen kann nicht rückgängig gemacht werden.

Der Servicecode kann eingegeben werden, nachdem das TV-Gerät länger als 15-30 min vom Netz getrennt wurde.

Wenn das TV-Gerät eingeschaltet wird, erscheint ein PINCODE Menü. Nun für drei Sekunden ◀ (Rücklauf) drücken, worauf ein MASTERCODE Menü erscheint. Hier kann der Servicecode 1 1 1 1 1 eingegeben werden. Anschließend GO drücken.

Mikrocomputer-Hauptplatine PCB6 austauschen

Beim Austausch des elektrischen Chassis einschließlich PCB6 darauf achten, das EEPROM 6IC6 von der defekten PCB6 in die neue PCB6 zu stecken, da es wichtige Daten enthält (Seriennummer, PIN-Code usw.).

Die Daten werden erst dann zum neuen Modul übertragen, wenn der Diebstahlschutz aktiviert wurde, bzw. 12 Stunden nach Netzanschluss. Hierdurch kann eine neue PCB6 ausprobiert werden, ohne die Seriennr. usw. des Geräts zu übertragen.

Hinweis!

Wenn eine neue PCB6 ausprobiert wurde, hierbei die Seriennummer in die neue PCB übertragen wurde und sich herausstellt, dass die alte PCB6 nicht defekt ist, kann die neue PCB6 nur noch für dieses spezifische Gerät benutzt werden. Die PCB muss dann zum Löschen des EEPROM an Bang & Olufsen zurückgeschickt werden.

Wenn die Gerätefunktionen einwandfrei sind, funktioniert auch der Diebstahlschutz. In diesem Fall muss die Funktion des Diebstahlschutzes nicht getestet werden.

PCB6 und EEPROM 6IC6 austauschen

Wenn sowohl PCB6 als auch EEPROM 6IC6 ausgetauscht werden müssen, müssen diese Bauteile von Bang & Olufsen mit der richtigen Seriennummer usw. vorprogrammiert werden, da sie ansonsten nicht funktionieren.

Bitte Kontakt mit Bang & Olufsen aufnehmen.

PIN-Code-System aktivieren

TV SETUP Menü wählen.

◀ zweimal und dann **STOP** drücken, um das PINCODE SETUP Menü zu öffnen.

Vierstelligen PIN-Code mit der Beo4 eingeben.

GO drücken, wenn die letzte Ziffer eingegeben ist. Code zur Bestätigung nochmals eingeben und **GO** drücken.

Zum Ändern bzw. Löschen des PIN-Codes den richtigen PIN-Code eingeben und **GO** drücken.

Der PIN-Code kann nun geändert bzw. gelöscht werden.

PIN-Code eingeben

Wenn der PIN-Code aktiviert ist und das TV-Gerät länger als 30 Minuten vom Netz getrennt wird, erscheint beim Einschalten des Geräts ein PINCODE Menü.

Alle Ziffern des PIN-Codes eingeben und anschließend **GO** drücken. Das Gerät schaltet nun wieder ein.

Wenn der PIN-Code vergessen wurde

Wenn der PIN-Code vergessen wurde (fünf Versuche innerhalb von drei Stunden bei Netzanschluss), kann das TV-Gerät nur durch Eingabe eines fünfstelligen Mastercodes entsperrt werden.

Der Mastercode wird entweder über das Retail System bzw. mit einem Mastercode-Formular bestellt. Wenn keine dieser Möglichkeiten offensteht, wenden Sie sich bitte an Bang & Olufsen.

Wenn das Gerät zur Eingabe des PIN-Codes auffordert, ◀ gedrückt halten, um das MASTERCODE Menü zu öffnen.

Mastercode eingeben und **GO** drücken. Hierdurch wird der PIN-Code deaktiviert und das Gerät entsperrt.

Flash-Programmierung des M2-Prozessors

Es ist nicht möglich, ein Set-top-Box Controller-Modul in das Chassis einzubauen. Der Set-top-Box Controller besteht aus einer Softwarelösung (STB-C Software und STB-C Tabelle), die in den M2-Prozessor flashprogrammiert werden muss. Die Anwendungssoftware für den M2-Prozessor kann flashprogrammiert werden. Hierzu hat Bang & Olufsen ein "Flash Tool" entwickelt, bei der es sich um eine PC/Laptop-Anwendung für die Installation/Aktualisierung der STB-C Software und der M2-Anwendungssoftware handelt.

Tools für die Flash-Programmierung

- PC/Laptop mit der Bang & Olufsen "Flash Tool"-Anwendung (kann aus dem Retail System heruntergeladen werden).
- Kabelkit Nr. 3375397.

Flash-Programmierung

M2-Software aktualisieren
(die IR-Ausgangsbuchse ist nicht vorhanden)
Wenn die IR-Ausgangsbuchse nicht vorhanden ist, muss nur die M2-Anwendungssoftware aktualisiert werden.

- TV-Gerät vom Netz trennen.
- Rückwand abnehmen (siehe Seite 6.7).
- Nur Kabelkit an 1P51 anschließen.
- "Flash Tool" starten, "Products" wählen und die Hinweise auf dem PC-Bildschirm befolgen.

Software installieren/aktualisieren
(die IR-Ausgangsbuchse ist vorhanden)

Wenn das TV-Gerät mit der IR-Ausgangsbuchse ausgestattet ist, kann hierüber sowohl die M2-Anwendungssoftware als auch die STB-C Software installiert/aktualisiert werden.

- TV-Gerät vom Netz trennen.
- "Flash Tool" starten, "Products" wählen und die Hinweise auf dem PC-Bildschirm befolgen.

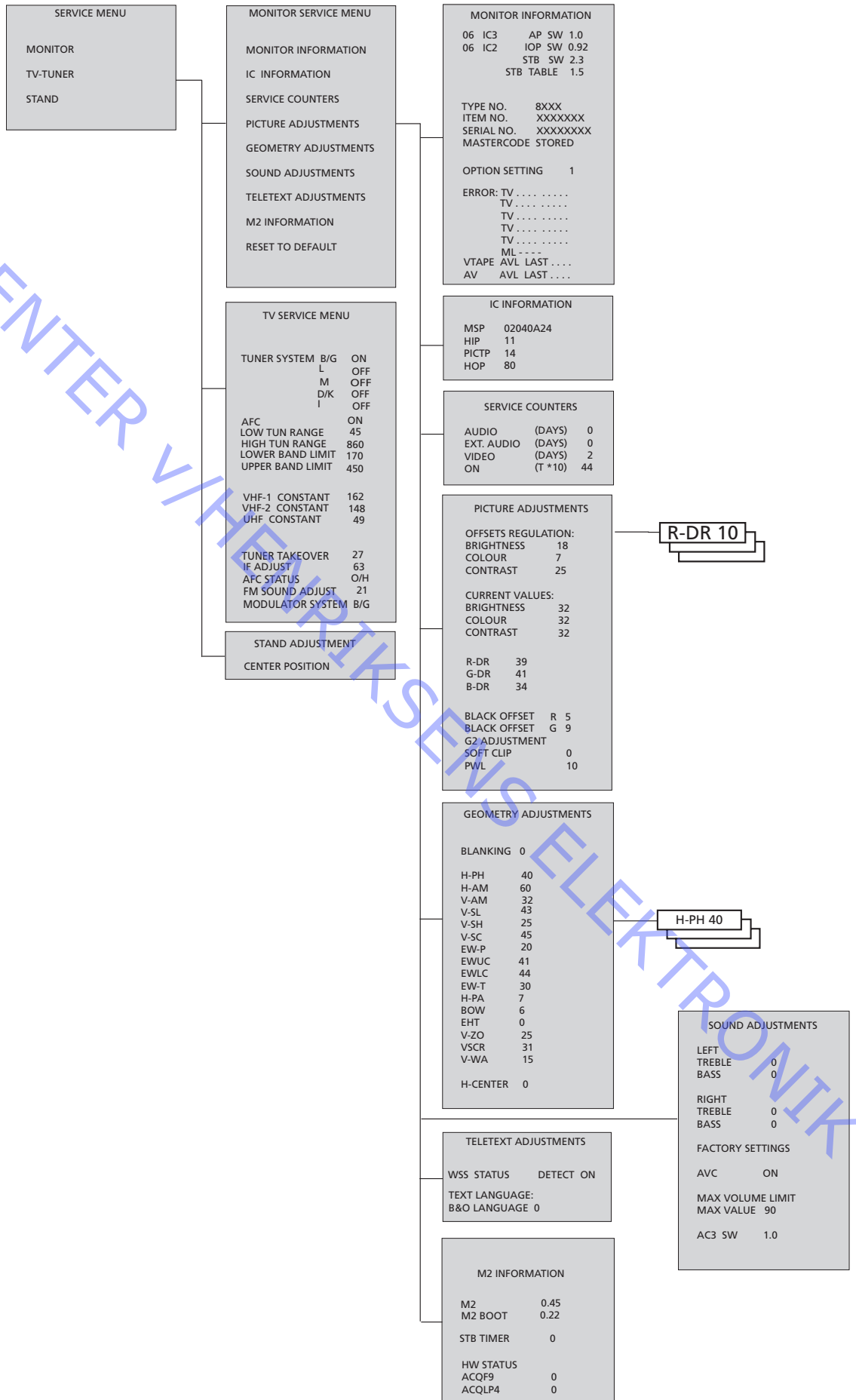
Hinweis!

Die Softwareversionen können im Servicemenü überprüft werden.



REGLAGES

La plupart des réglages sont effectués en mode Entretien. Vous trouverez ci-dessous un aperçu des menus du mode Entretien.



Accès au mode Service

Sélectionnez un menu SETUP.

Beo4 : Appuyez sur les touches **0 0 GO** dans les 3 secondes

Sélectionnez le fonctionnement de menu ordinaire pour quitter le mode Service.

Fonctionnement en mode Service :

Beo4	Activité
EXIT	Fait disparaître les menus
GO	- Permet de sélectionner le sous-menu de la ligne de menu sur laquelle est placé le curseur. - Permet de sélectionner des valeurs et de revenir au MENU SERVICE - Permet d'effacer des codes d'erreur dans le menu MONITOR INFORMATION et de revenir au MENU SERVICE
▲	Permet de déplacer le curseur vers le haut et de revenir au menu précédent
▼	Permet de déplacer le curseur vers le bas et de sélectionner un sous-menu dans des occasions particulières
◀ ▶	Permet de sélectionner de nouvelles valeurs dans les menus et de sélectionner un sous-menu dans des occasions particulières

Important !

Pour procéder au remplacement du châssis électrique, y compris PCB1 - traitement du signal AV, PCB3 - sortie vidéo, PCB4 - alimentation électrique et déviation, et PCB6 - micro-ordinateur principal, les anciennes mémoires EEPROM 61C6 doivent être transférées sur le nouveau PCB6 afin d'éviter des pertes de données.

Dans le coin inférieur gauche du PCB1, traitement du signal AV, une petite étiquette indique les valeurs de réglage pour TUNER TAKEOVER, IF ADJUST et FM SOUND ADJUST. Ces valeurs doivent être écrites dans l'ancienne mémoire EEPROM.

Lors du remplacement du PCB6, les anciennes mémoires EEPROM 61C6 doivent aussi être transférées vers le nouveau PCB6.

Support (Seulement téléviseurs dotés d'un support motorisé)

Doit être réglé lorsque l'engrenage avec la commande du support motorisé PCB92 a été installé dans le téléviseur ou en cas de remplacement d'une partie quelconque du châssis électrique contenant le PCB6 avec l'EEPROM 61C6.

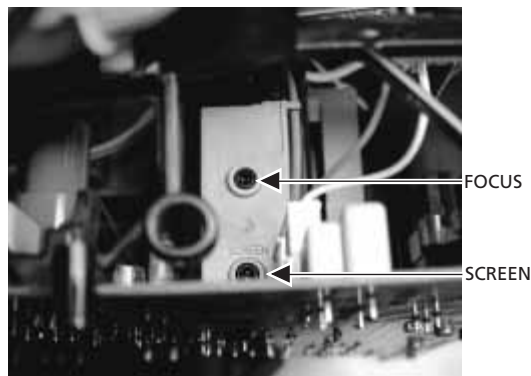
- Entrez en mode Service et sélectionnez la ligne STAND.
- Appuyez sur **GO**, lorsque CALIBRATION OK s'affiche, la position centrale du support motorisé a été trouvée.

Pour les réglages suivants, utilisez une mire-test 4:3 standard (par exemple Philips).

Focalisation

- Réglez sur la focalisation optimale des lignes verticales, vues à environ 10cm/4" du bord de l'écran, à l'aide du potentiomètre FOCUS dans le transformateur EHT (voir >6).

>6



Réglages de l'image

Les réglages de l'image doivent uniquement être effectués en format 1 (4:3) et dans une pièce sombre.

- Sélectionnez PICTURE dans le menu OPTIONS et réglez les valeurs de BRIGHTNESS, CONTRAST et COLOUR sur la position centrale. Appuyez sur **GO** pour mémoriser.
- Entrez en mode Service et sélectionnez la ligne MONITOR.
- Sélectionnez la ligne PICTURE ADJUSTMENTS.
- Vérifiez que les valeurs pour BRIGHTNESS, CONTRAST et COLOUR indiquent 32 dans CURRENT VALUES.

Certains paramètres sont fixes et ne doivent pas être modifiés :

- OFFSETS REGULATIONS :

- BRIGHTNESS	18
- CONTRAST	25
- COLOUR	7
- SOFT CLIP	0
- PWL	10

- Réglez R-DR, G-DR et B-DR sur le niveau de blanc correct.

Signaux PAL/NTSC :

- Connectez un signal PAL au téléviseur et réglez BLACK OFFSET R et BLACK OFFSET G sur le niveau de gris correct.

Signaux SECAM :

- Connectez un signal SECAM au téléviseur et réglez BLACK OFFSET R et BLACK OFFSET G sur le niveau de gris correct.

Réglage G2 (voir >6).

Le réglage H-CENTER dans GEOMETRY ADJUSTMENTS doit être effectué avant le réglage G2.

- Sélectionnez la ligne G2 ADJUSTMENT dans le menu PICTURE ADJUSTMENTS en appuyant sur **▶**. L'écran devient alors noir. Réglez à l'aide du potentiomètre SCREEN dans le transformateur EHT jusqu'à ce que la LED de veille soit verte (rouge = G2 trop élevé, jaune = G2 trop faible, vert = G2 correct). Appuyez ensuite sur **GO** pour revenir au menu PICTURE ADJUSTMENTS.

Réglages géométriques

Pour les réglages géométriques, utilisez une mire-test 4:3 standard (par exemple Philips).

Les réglages géométriques doivent être effectués dans le format 1 (4:3) et le format 2 (16:9).

- Entrez en mode Service, sélectionnez MONITOR puis sélectionnez GEOMETRY ADJUSTMENTS.

Certains paramètres sont fixes et ne doivent pas être modifiés :

Correction S verticale (V-SC)	35 Format 1	32 Format 2
Sensibilité horizontale (EHT)	0 Format 1 & 2	
Zoom vertical (V-ZO)	25 Format 1 & 2	
Défilement vertical (VSCR)	31 Format 1 & 2	
Délai vertical (V-WA)	15 Format 1 & 2	

Les réglages doivent d'abord être effectués dans le format 1 (4:3).

- Appuyez sur **V.TAPE** pour obtenir une image noire.
- Réglez le potentiomètre SCREEN dans le transformateur EHT jusqu'à ce que l'image devienne grise.
- Entrez en mode Service et sélectionnez la ligne MONITOR.
- Sélectionnez la ligne GEOMETRY ADJUSTMENTS.

- Placez le curseur sur une ligne à l'aide de ▲ et ▼. Appuyez sur GO pour sélectionner la ligne. Un petit menu s'affiche alors. Il est possible de changer entre les petits menus à l'aide des touches ▲ et ▼.
- Sélectionnez la ligne H-AM (Horizontal AMplitude) et réglez jusqu'à ce que l'image se trouve à l'intérieur du bord phosphore des deux côtés de l'image. Sélectionnez la ligne H-CENTER (Horizontal Centering) et réglez jusqu'à ce que l'image grise se trouve juste à l'extérieur du bord phosphore du côté droit de l'image et 6 mm à l'intérieur de l'image du côté gauche.
Sélectionnez la ligne H-AM et réglez la largeur appropriée de l'image.
- Effectuez le réglage G2 selon la description figurant sous PICTURE ADJUSTMENTS.

Décentrage vertical (V-SH)

- Réglez BLANKING sur 1. Réglez V-SH jusqu'à ce que la suppression se trouve dans le centre vertical de l'écran (c'est-à-dire 184 mm à partir du sommet de l'image). Réglez BLANKING sur 0.

Amplitude verticale (V-AM)

- Réglez V-AM pour que l'image soit ajustée en haut (c'est-à-dire 7 mm du sommet de l'image au sommet du cercle).

Inclinaison verticale (V-SL)

- Réglez V-SL pour que l'image soit ajustée en bas (c'est-à-dire 7 mm du bas de l'image au bas du cercle).

Phase horizontale (H-PH)

- Réglez H-PH afin de corriger le centrage de l'image.

Amplitude horizontale (H-AM)

- Réglez H-AM afin de corriger la largeur de l'image.

Parabole Est/Ouest (EW-P)

- Réglez EW-P pour obtenir une géométrie correcte des deux côtés. La partie centrale des lignes verticales doit être aussi droite que possible.

Angle supérieur Est/Ouest (EWUC)

- Réglez EWUC pour obtenir une géométrie correcte sur les angles supérieurs.

Angle inférieur Est/Ouest (EWLC)

- Réglez EWLC pour obtenir une géométrie correcte sur les angles inférieurs.

Trapèze Est/Ouest (EW-T)

- Réglez EW-T pour obtenir une géométrie correcte.

Parallélogramme horizontal (H-PA)

- Réglez H-PA pour obtenir une géométrie correcte.

BOW horizontal (BOW)

- Réglez BOW jusqu'à ce que la ligne verticale au centre de l'image soit droite.

Il peut s'avérer nécessaire de répéter l'opération pour certains réglages.

- Notez les valeurs de H-PH, EWLC, BOW, H-CT et V-SH par écrit.
- Appuyez sur GO pour mémoriser les réglages.

Quittez le mode Service.

Réglages géométriques dans le format 2 (16:9)

Seuls les réglages mentionnés doivent être effectués.

- Allumez le téléviseur.
- Alternez avec **LIST** jusqu'à ce que l'afficheur de la Beo4 indique FORMAT, appuyez ensuite sur **GO** et **2** pour sélectionner FORMAT 2.
- Entrez en mode Service et sélectionnez la ligne MONITOR.
- Sélectionnez la ligne GEOMETRY ADJUSTMENTS.
Lorsque vous sélectionnez une option de réglage, l'image doit passer au format 16:9.
- Réglez H-PH, EWLC, BOW, H-CT et V-SH sur les valeurs du format 1 et vérifiez les valeurs fixes du format 2, voir page précédente.

Amplitude verticale (V-AM)

- Réglez V-AM pour que l'image soit ajustée en haut (c'est-à-dire 8 mm du sommet de l'image au sommet du cercle).

Inclinaison verticale (V-SL)

- Réglez V-SL jusqu'à ce qu'il y ait environ 99 mm à partir de la partie inférieure du cercle jusqu'à la partie inférieure de l'écran.

Amplitude horizontale (H-AM)

- Réglez H-AM afin de corriger la largeur de l'image.

Phase horizontale (H-PH)

- Réglez H-PH afin de corriger le centrage de l'image.

Parabole Est/Ouest (EW-P)

- Réglez EW-P pour obtenir une géométrie correcte des deux côtés. La partie centrale des lignes verticales doit être aussi droite que possible.

Angle supérieur Est/Ouest (EWUC)

- Réglez EWUC pour obtenir une géométrie correcte sur les angles supérieurs.

Trapèze Est/Ouest (EW-T)

- Réglez EW-T pour obtenir une géométrie correcte.

Parallélogramme horizontal (H-PA)

- Réglez H-PA pour obtenir une géométrie correcte.

Il peut s'avérer nécessaire de répéter l'opération pour certains réglages.

- Appuyez sur **GO** pour mémoriser les réglages.

Quittez le mode Service.

MODE SERVICE

Le mode Service comporte deux parties : Le menu Service et le mode ignorer. Consultez la page 5.29 pour une vue d'ensemble des menus et du fonctionnement en mode Service.

MENU SERVICE

La ligne STAND est seulement indiquée si le téléviseur est équipé d'un support motorisé. La fonction est décrite dans le chapitre sur les réglages.

MENU MONITOR SERVICE

Les lignes PICTURE ADJUSTMENTS et GEOMETRY ADJUSTMENTS sont décrites dans le chapitre sur les réglages.

MONITOR INFORMATION

- Numéros des versions du logiciel
La ligne "STB SW 1.0" est seulement indiquée si le processeur M2, 11C200 SDA6000, est équipé du logiciel du set-top box controller.
La ligne "STB TABLE 1.0" montre la version pour la conversion des codes de télécommande de décodeur STB en codes Beo4.
- Numéros de type, d'article et de série
- Etat de la protection antivol. Indique si le Master code a été correctement entré (MEMORISÉ/NON MEMORISÉ)
- Programmation des options
- Cinq dernières erreurs TV
- Dernière erreur ML
- Dernière erreur AVL des prises V.TAPE et AV

OPTION SETTING

Option 0 = Le récepteur IR du téléviseur est déconnecté.

Option 1 = Le téléviseur et le système audio (système BeoLink) sont disposés dans la même pièce.

Option 2 = Le téléviseur et le système audio (système BeoLink) sont disposés dans des pièces différentes.

Option 5 = Le téléviseur et le système audio (système BeoLink) sont disposés dans la même pièce liée.

Option 6 = Le téléviseur est le seul produit disposé dans la pièce liée.

ERROR:TV

Le téléviseur est capable de détecter certains types d'erreurs et de les afficher à l'écran.

Les cinq dernières erreurs TV sont indiquées en tant que codes d'erreur et affichées avec le mois et le jour (quatre chiffres) indiqués par l'horloge système. L'erreur la plus récente est affichée en haut. Etant donné que le téléviseur n'a pas d'horloge matériel, le mois et le jour affichés ne seront pas corrects mais ils peuvent servir à voir si plusieurs erreurs sont apparues le même jour.

Il est possible d'afficher les types d'erreurs TV suivants :

....	Aucune erreur enregistrée
DF	Défaillance données
POR1	Défaillance RAZ à la mise sous tension 1
POR2	Défaillance RAZ à la mise sous tension 2
PDD	Défaillance détectée à la mise hors tension
XX-YZ	(XX = adresse IIC Y = bus IIC 1 ou 2 Z = n'importe quel segment bus IIC A/B/C/D)

Les codes d'erreur ML correspondent à la détection d'erreurs dans le système Master Link.

. . . .	Aucune erreur enregistrée
CI	Configuration adresse impossible
TD	Données ML décalées vers le bas
TU	Données ML décalées vers le haut
??	Autres possibilités d'erreurs indéfinissables
NH	Absence de matériel. Absence de PCB Master Link dans le téléviseur

Codes d'erreur AVL des prises V.TAPE et AV

. . . .	Aucune erreur enregistrée
TI	Transmission impossible
TD	Lien de données assujetti

Codes d'erreur support motorisé

ST-01	Erreur d'étalonnage, trop peu de positions
ST-02	Erreur d'étalonnage, trop de positions
ST-03	Erreur d'étalonnage EEPROM
ST-04	Erreur d'étalonnage, transducteur
ST-05	Erreur d'étalonnage, position

Après rectification d'une erreur qui a déclenché l'affichage d'un code d'erreur, celui-ci devra être effacé. Pour ce faire, appuyez sur **GO** dans le menu MONITOR INFORMATION.

Erreur bus IIC

Une erreur bus IIC signifie une défaillance de communication sur le bus lorsque le micro-ordinateur tente de communiquer avec l'adresse en question.

Dans la plupart des cas, cela signifie que l'IC adressé est défectueux mais le défaut pourrait également se situer dans un des composants entourant l'IC ou un autre composant sur le bus. Adresses en relation avec des erreurs de bus IIC :

IC	Function	On modes	Adr	Clock	BUS
1IC100 TDA9321H	Colour decoder & IF (HIP)	AV	8A	100 kHz	IIC-2A
1TU1 CTF5510	TV tuner	V	C0	100 kHz	IIC-2A
1IC200 SDA6000	M2 Processor	AV	22	400 kHz	IIC-2D
63IC1 TDA8722M	Modulator	AV	C8	100 kHz	IIC-2A
64IC2 TDA7315	Power Link	AV	80	100 kHz	IIC-2B
6IC2 H8/3216	IOP Main processor	SAV	60	400 kHz	IIC-2D
32IC601 H8/3214	Digital Sound AC3	AV	84	100 kHz	IIC1
1IC550 MSP3410D	Sound processor	AV	80	100 kHz	IIC-2C
1IC350 TDA9330H	Video processor (HOP)	V	8C	100 kHz	IIC-3_2
1IC300 TDA9178	CTI	V	40	400 kHz	IIC-3_2
1IC49 PCF8563	Real-time clock	S	A2	100 kHz	IIC1

Modes d'activité :

- S - Mode veille
- A - Mode audio
- V - Mode vidéo

Défaillance données (DF)

Si une erreur apparaît dans l'EEPROM (6IC6) empêchant la sortie de données géométriques vers le téléviseur, le micro-ordinateur remplace les données manquantes par les données par défaut mémorisées dans l'EPROM (6IC3) module 999.

Défaillance RAZ à la mise sous tension 1 (POR1)

Défaillance de RAZ ou de mise à jour de 1IC100 (TDA9321H module 999) au cours du démarrage.

Défaillance RAZ à la mise sous tension 2 (POR2)

Défaillance de RAZ ou de mise à jour de 1IC350 (TDA9330H module 999) au cours du démarrage.

Défaillance détectée à la mise hors tension (PDD)

Défaillance détectée à la mise hors tension sur 1IC300 (TDA9178 module 999).

Configuration adresse impossible (CI)

Erreur au cours de la configuration adresse. Aucune adresse n'a été attribuée du fait qu'un nombre excessif d'unités a été connecté au Master Link.

- Débranchez toutes les unités du link et rebranchez-les une par une.

Données ML décalées vers le bas (TD)

Le link est décalé vers le bas (Bas). Cette erreur peut apparaître sous la forme d'un court-circuit physique dans le link, dans les gestionnaires du link ou dans le module 51 du circuit ML master/source dans le téléviseur.

Données ML décalées vers le haut (TU)

Le link est décalé vers le haut (Haut). Cette erreur peut apparaître sous la forme d'un court-circuit physique dans le link, dans les gestionnaires du link ou dans le module 51 du circuit ML master/source dans le téléviseur.

Transmission impossible (TI)

Il n'est pas possible d'envoyer des données vers la broche 8 de la prise V.TAPE ou AV, probablement à cause de bruit.

Lien de données assujetti (TD)

La connexion du lien de données vers la broche 8 de la prise V.TAPE ou AV est court-circuitée à la terre.

Erreur d'étalonnage, trop peu de positions (ST-01)

Le nombre de positions lues au cours de l'étalonnage du support n'est pas suffisant. Le support peut être bloqué.

Erreur d'étalonnage, trop de positions (ST-02)

Le nombre de positions lues au cours de l'étalonnage du support est trop élevé.

Erreur d'étalonnage EEPROM (ST-03)

Défaillance au moment où le déport du support devait être mémorisé dans l'EEPROM.

Erreur d'étalonnage, transducteur (ST-04)

Lecture d'une position non valable provenant du transducteur.

Erreur d'étalonnage, position (ST-05)

Plusieurs lectures du transducteur avec le support dans la même position.

IC INFORMATION

Indique les numéros des versions des IC mentionnés.

MSP = 1IC550 (MSP3410D), HIP = 1IC100 (TDA9321H)

PICTP = 1IC300 (TDA9178), HOP = 1IC350 (TDA9330H)

COMPTEURS DE SERVICE

AUDIO = mode audio, hors tension EHT.

EXT.AUDIO = mode audio étendu, hors tension EHT mais tension d'alimentation sur tous les autres circuits du téléviseur.

VIDEO = mode audio/vidéo.

ON (T*10) = indique combien de fois le poste a été allumé à partir du mode veille.

(T*10) = Les nombres sont indiqués par intervalles de 10 (ex. 10 = 100).

Les nombres sont donnés en dizaines entières.

Les valeurs sont mémorisées dans l'EEPROM. En cas de lectures erronées des valeurs dans l'EEPROM, toutes les valeurs des compteurs de service seront remises à 0.

SOUND ADJUSTMENTS

LEFT et RIGHT TREBLE/BASS (réglage gauche et droit des basses et des aigus) sont destinés à une utilisation future.

AVC = Contrôle automatique du volume, peut être placé sur OFF pour la mesure des circuits audio. Le contrôle AVC est placé sur ON lorsque le téléviseur a été éteint à l'aide de l'interrupteur secteur.

AVC = Automatic Volume Control (contrôle automatique du volume), peut être réglé sur OFF lors de mesures effectuées sur le circuit audio. L'AVC est réglé sur ON lorsque le téléviseur a été éteint à l'aide de l'interrupteur principal.

- MAX VOLUME LIMIT : Peut par ex. être utilisé pour limiter le réglage du volume max. sur des téléviseurs placés dans des chambres d'hôtel.
- Version du logiciel du décodeur de son surround numérique (AC3). Seulement affichée en présence d'un décodeur AC3 dans le téléviseur.

REGLAGES DU TELETXTTE

WSS STATUS : Utilisé pour le changement automatique pour le Digital Dolby Surround Sound en présence de codes WSS dans le signal.

BROADCAST ONLY: Uniquement signal d'allumage du tuner TV.

DETECT ON: Signaux d'allumage de toutes les sources, tuner TV, lecture DVD, prises V TAPE et AV.

DETECT OFF: Utilisé dans certaines conditions, par ex. faible écart signal et bruit, la détection peut faire défaut ce qui peut entraîner une commutation erronée.

En sélectionnant "B&O LANGUAGE", il est possible de choisir parmi 7 jeux de caractères Télétex te différents.

- 0 Anglais, allemand, suédois, italien, français, portugais, slovaque
- 1 Polonais, allemand, suédois, italien, français, croate, slovaque, roumain
- 2 Anglais, allemand, suédois, italien, français, portugais, turc
- 3 Anglais, russe, estonien, tchèque, allemand, lithuanien, ukrainien
- 4 Anglais, allemand, suédois, italien, français, portugais, turc, grec
- 5 Anglais, arabe, français
- 6 Anglais, hébreu, arabe

Si les langues 3 à 6 sont choisies, il n'est pas possible de recevoir les caractères Télétex te niveau 2.5 d/r/c/s.

Si les langues 3 à 6 sont choisies, l'animation dans la liste de programmes en mode Télétex te n'est pas possible.

M2 INFORMATION

- Versions du logiciel du processeur Télétex 11C200 SDA6000.
- STB TIMER : Réglé par défaut sur 0 mais peut être modifié en cas d'apparition de problèmes de synchronisation au cours du démarrage avec certains décodeurs STB.
- HW STATUS : Réserve à l'utilisation en usine

RESET TO DEFAULT

En sélectionnant cette ligne, les réglages seront définis.

- Tous les programmes de télévision et de radio sont effacés.
- Les prises V.TAPE et AV sont réglées sur NONE.
- Dans le menu de service PICTURE ADJUSTMENT, la luminosité, la couleur et le contraste sont réglés sur les valeurs par défaut.
- Toutes les listes de programmes sont effacées.
- Le menu TV SETUP TUNE s'affichera la première fois que le téléviseur est mis sous tension.
- OPTION est réglée sur 2.
- La configuration de la protection antivol n'est pas modifiée.

Lorsque RESET TO DEFAULT est sélectionné, un texte "PLEASE WAIT 30 SEC." s'affiche. Pendant que le texte est affiché, aucune opération n'est autorisée. Lorsque le texte disparaît, on quitte le mode Service.

TV SERVICE MENU

Dans TUNER SYSTEM, vous pouvez régler seulement les systèmes de syntonisation appropriés sur ON (sur les téléviseurs multistandard uniquement). Cette opération est effectuée pour réduire le temps de syntonisation.

AFC ON/OFF est utilisé dans le cas de réglages mais il peut être utile dans d'autres situations.

AFC est réglé sur ON lorsque le téléviseur est éteint au moyen de l'interrupteur secteur.

LOW TUN RANGE	45
HIGH TUN RANGE	860
LOWER BAND LIMIT	170
UPPER BAND LIMIT	450

VHF-1 CONSTANT	161
VHF-2 CONSTANT	146
UHF CONSTANT	52

Ces options correspondent à une utilisation en usine.

TUNER TAKEOVER	26
IF ADJUST	8
AFC STATUS	O/H
FM SOUND ADJUST	14
MODULATOR SYSTEM	B/G

Ces options sont décrites dans la section concernant les réglages.

Mode ignorer bus

En cas d'apparition d'une erreur dans le système bus IIC qui met le téléviseur en veille chaque fois qu'on essaye de l'allumer, il est possible d'allumer le téléviseur d'une manière telle que l'erreur est ignorée :

- Le téléviseur doit être en mode veille.
- Court-circuitez les deux pastilles soudées (marquées J40 coordonnées 11A sur PCB1).
- Appuyez sur TV. Le téléviseur démarre alors en mode ignorer bus avec si possible le menu service.

IMPORTANT ! Si le téléviseur est démarré en mode ignorer, cela peut avoir pour résultat le risque d'endommager davantage le téléviseur.

- Quittez le mode ignorer. Eteignez le téléviseur.

ABO-CENTER V/HENRIKSENS ELEKTRONIK

PROTECTION ANTIVOL

La protection antivol est un code PIN à 4 chiffres, choisi par l'utilisateur, qui doit être entré si l'appareil a été débranché du secteur pendant 30 min.

La protection antivol est toujours désactivée au départ de l'usine et il incombe donc à l'utilisateur de l'activer.

Si la protection antivol est activée et que le téléviseur a été débranché du secteur pendant 15 à 30 min., l'utilisateur est invité à entrer le code PIN à 4 chiffres au moment d'allumer le téléviseur.

Avant de livrer l'appareil pour la maintenance, il convient de demander au client de désactiver la protection antivol.

Code service

Si le code PIN est activé et que l'appareil est en service après-vente, il est possible d'obtenir 12 heures de maintenance en entrant un code service à 5 chiffres qui est le 1 1 1 1 1.

Cela donne 12 heures de fonctionnalité complète pour la maintenance de l'appareil et pour effectuer des changements de modules sans nommer/enregistrer les modules remplacés dans l'appareil du client. Les 12 heures ne courent que lorsque l'appareil est branché sur le secteur !

Si le code PIN du client ou le Master code est entré, les modules remplacés sont nommés/enregistrés dans l'appareil. L'enregistrement des modules ne peut être modifié.

Le code service peut être entré lorsque le téléviseur a été débranché du secteur pendant 15 à 30 min.

Lorsque le téléviseur est allumé, un menu PINCODE apparaît. Appuyez maintenant sur ◀ (rembobiner) pendant 3 secondes après quoi un menu MASTERCODE apparaît qui permet d'entrer le code service 1 1 1 1 1, appuyez ensuite sur GO.

Remplacement du principal micro-ordinateur PCB6

Au moment de remplacer le châssis électrique comprenant le PCB6, ne pas oublier de déplacer l'EEPROM 61C6 du PCB6 défectueux vers le nouveau PCB6, du fait qu'elle contient des données précieuses (N° de série, code PIN, etc.).

Les données ne sont pas transférées au nouveau module avant que vous ayez été en contact avec la protection antivol ou après 12 heures de branchement sur le secteur. Cela signifie que vous pouvez essayer un nouveau PCB6 sans transférer le n° de série de l'appareil, etc.

Remarque !

Si vous avez essayé un nouveau PCB6 et si le n° de série a été transféré à ce nouveau PCB6 et qu'il indique que l'ancien PCB6 n'est pas défectueux, le nouveau PCB6 ne peut alors être utilisé que pour cet appareil spécifique; il doit être renvoyé à Bang & Olufsen afin d'être effacé à nouveau.

Si les fonctions de l'appareil sont correctes, la protection antivol est également correcte. Il n'est pas nécessaire de tester la fonctionnalité de la protection antivol.

Remplacement à la fois du PCB6 et de l'EEPROM 61C6

Si le PCB6 et l'EEPROM 61C6 ont besoin d'être remplacés tous les deux, il est nécessaire de les faire pré-programmer chez Bang & Olufsen avec le n° de série correct, dans le cas contraire ils ne fonctionneront pas.

Veuillez contacter Bang & Olufsen.

Activez le système de code PIN

Sélectionnez le menu TV SETUP.
Appuyez deux fois sur ◀ puis sur STOP pour faire apparaître le menu PINCODE SETUP.
Entrez le code PIN à 4 chiffres à l'aide de la Beo4.
Appuyez sur GO après avoir entré le dernier chiffre. Entrez le code à nouveau pour le confirmer puis appuyez sur GO.
Si vous souhaitez modifier ou effacer le code PIN, entrez le code PIN correct et appuyez sur GO.
Il est désormais possible de modifier ou d'effacer le code PIN.

Entrer le code PIN

Si le système de code PIN est activé et que le téléviseur est débranché du secteur pendant plus de 30 min., un menu PINCODE apparaît dès que le téléviseur est allumé.
Entrez les chiffres du code PIN puis appuyez sur GO lorsque le dernier chiffre a été entré, le téléviseur se rallume alors.

Si le code PIN a été oublié

Si le code PIN a été oublié (5 essais dans un délai de 3 heures avec le secteur branché), la seule manière de déverrouiller à nouveau le téléviseur est d'entrer le code maître à 5 chiffres.
Commander le code maître en envoyant une demande soit par l'intermédiaire du système de vente au détail soit sur le formulaire code maître; veuillez contacter Bang & Olufsen si aucune de ces options n'est disponible.
Lorsque le téléviseur demande un code PIN, appuyez et maintenez la touche ◀ enfoncée afin de faire apparaître le menu MASTERCODE.
Entrez le code maître et appuyez sur GO. Cela désactive le code PIN et réactive le téléviseur.

Programmation flash du processeur M2

Il n'est pas possible d'intégrer un module Set-top-Box Controller au châssis. Le Set-top-Box Controller est un logiciel (logiciel STB-C et table STB-C) - dont la programmation flash dans un processeur - le processeur M2 - est nécessaire. Il est possible de faire une programmation flash du logiciel d'application du processeur M2.

A cette fin, Bang & Olufsen a mis au point un "Flash Tool" qui est une application PC/portable pour l'installation/la mise à jour du logiciel STB-C et du logiciel d'application M2.

Outils nécessaires à la programmation flash

- PC/portable avec application Bang & Olufsen "Flash Tool" (peut être téléchargée à partir du système de détail).
- Kit de câbles n° 3375397.

Programmation flash

Mise à jour du logiciel M2

(la prise IR Output n'est pas présente)

Si la prise IR Output n'est pas présente, le seul logiciel qu'il est nécessaire de mettre à jour est le logiciel d'application M2.

- Débranchez le téléviseur du secteur.
- Retirez le couvercle arrière (voir page 6.7).
- Le kit de câbles ne doit être connecté qu'à 1P51.
- Démarrez le "Flash Tool", choisissez "Products" et suivez les informations à l'écran du PC.

Installation/Mise à jour du logiciel

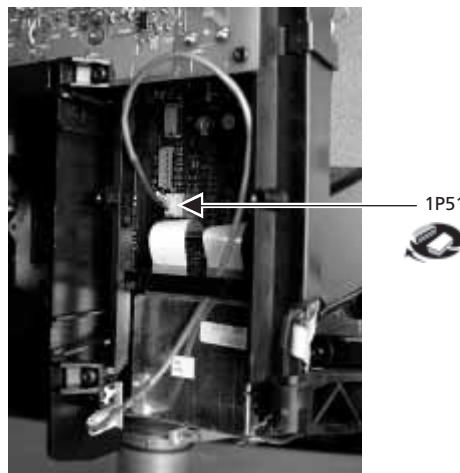
(la prise IR Output est présente)

Lorsque le téléviseur est équipé de la prise IR Output, il est possible d'installer/de mettre à jour aussi bien le logiciel d'application M2 que le logiciel STB-C, par l'intermédiaire de cette connexion.

- Débranchez le téléviseur du secteur.
- Démarrez le "Flash Tool", choisissez "Products" et suivez les informations à l'écran du PC.

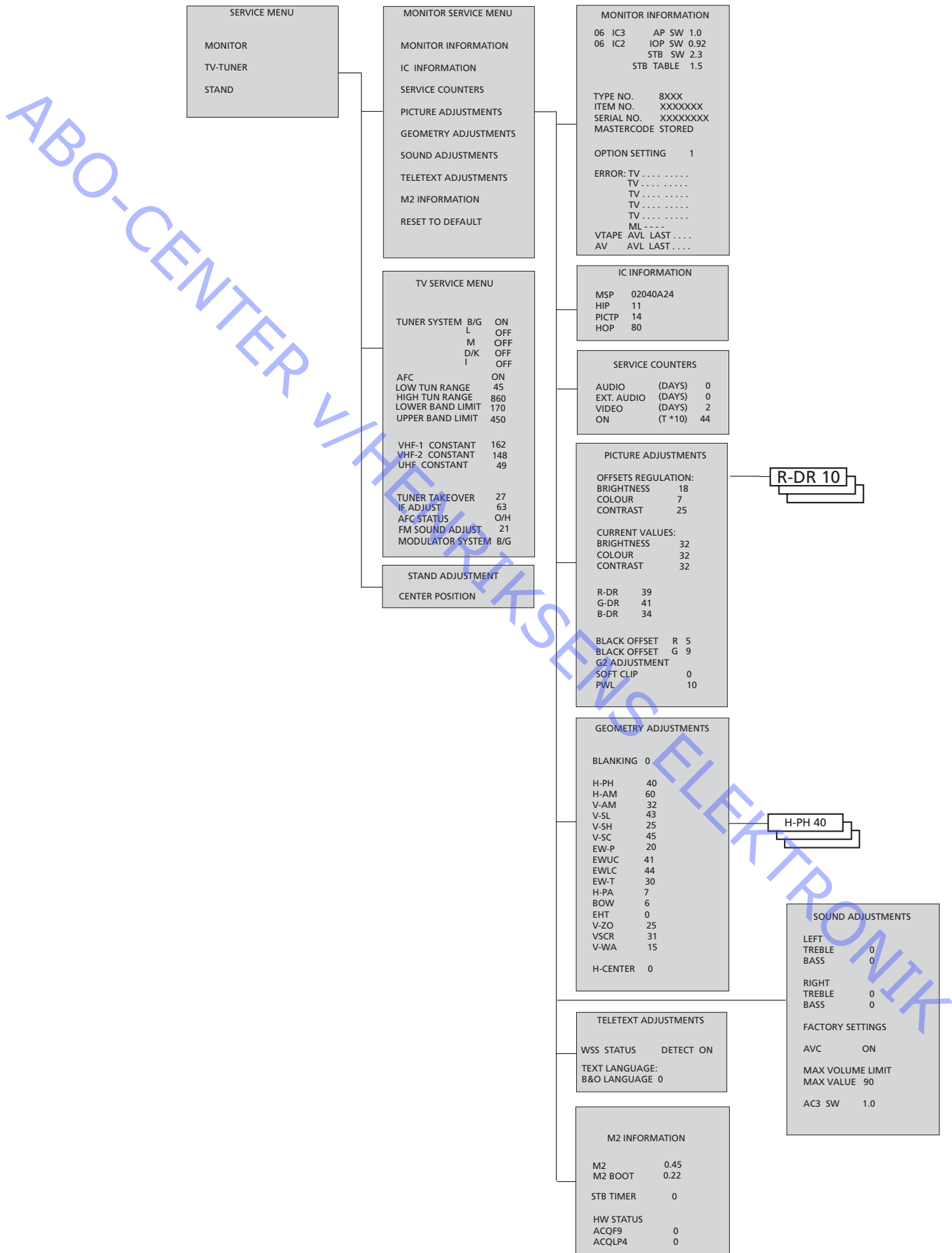
Remarque !

Il est possible de vérifier les versions de logiciels dans le menu Service.



REGOLAZIONI

È possibile effettuare la maggior parte delle regolazioni in Service Mode (modalità di manutenzione). Viene riportata di seguito una panoramica dei menu Service Mode.



Accedere alla modalità Service (Servizio)

Selezionare il menu SETUP (Impostazioni).

Beo4: Premere **0 0 GO** entro 3 secondi

Selezionare il menu ordinario per uscire dalla modalità Service.

Funzionamento in modalità Service:

Beo4	Attività
EXIT	Rimuove i menu
GO	- Seleziona il sottomenu nella riga del menu in cui è posizionato il cursore. - Memorizza i valori selezionati e riporta al menu SERVICE - Cancella i codici di errore nel menu MONITOR INFORMATION (Informazioni monitor) e riporta al menu SERVICE
▲	Sposta il cursore in alto e riporta al menu precedente
▼	Sposta il cursore in basso e seleziona i sottomenu in particolari circostanze
◀ ▶	Seleziona i nuovi valori dei menu e seleziona i sottomenu in particolari circostanze

Importante!

Nel sostituire lo chassis elettrico che comprende l'elaborazione del segnale PCB1 AV, l'uscita video PCB3, l'alimentazione e deflessione PCB4 e il microcomputer principale PCB6, per evitare la perdita di dati, è necessario spostare i precedenti EEPROM 61C6 nel nuovo PCB6.

Nell'angolo inferiore sinistro di PCB1, l'elaborazione del segnale AV, è presente una piccola etichetta che riporta i valori delle regolazioni per TUNER TAKEOVER (Rileva sintonizzatore), IF ADJUST (Regolazione IF) e FM SOUND ADJUST (Regolazione suono FM). È necessario scrivere tali valori nel precedente EEPROM. Nel sostituire il PCB6, è necessario spostare anche i precedenti EEPROM 61C6 nel nuovo PCB6.

Stand (solo per televisori con stand motorizzato)

Si regola quando nel televisore è montata la scatola di riduzione con controllo di stand motorizzato PCB92, o quando si sostituisce una parte dello chassis elettrico che contiene il PCB6 con la EEPROM 61C6.

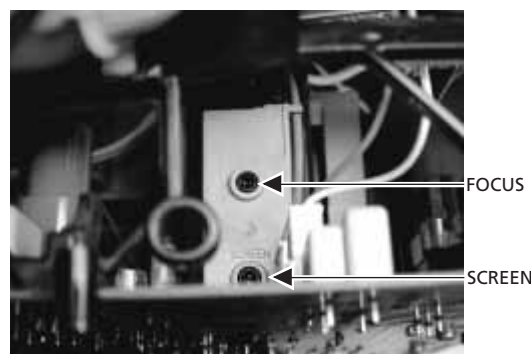
- Entrare in modalità Service e selezionare la riga MONITOR.
- Premere **GO**. Il messaggio CALIBRATION OK (Calibrazione corretta) conferma la posizione centrale dello stand motorizzato.

Per le regolazioni successive, occorre utilizzare il modello di test del formato standard 4:3 (p.e. Philips).

Fuoco

- Utilizzando il potenziometro FOCUS del trasformatore EHT, regolare la messa a fuoco ottimale delle linee verticali da una distanza di circa 10cm dal bordo dello schermo (vedere >6).

>6



Regolazioni dell'immagine

Le regolazioni dell'immagine si effettuano in formato 1 (4:3) e devono essere eseguite in una stanza oscura.

- Selezionare PICTURE (Immagine) nel menu OPTIONS (Opzioni) e impostare i parametri BRIGHTNESS (Luminosità), CONTRAST (Contrasto) e COLOUR (Colore) sui rispettivi valori intermedi. Premere **GO** per memorizzare le impostazioni.
- Entrare in modalità Service e selezionare la riga MONITOR.
- Selezionare la riga PICTURE ADJUSTMENTS (Regolazioni immagine).
- Verificare che BRIGHTNESS, CONTRAST e COLOUR siano impostati su 32 in CURRENT VALUES (Valori correnti).

Alcune regolazioni sono fisse e non devono essere modificate:

REGOLAZIONI DELL'OFFSET:

BRIGHTNESS	18
CONTRAST	25
COLOUR	7
SOFT CLIP	0
PWL	10

- Regolare R-DR, G-DR e B-DR al livello del bianco corretto.

Segnali PAL/NTSC:

- Collegare al televisore un segnale PAL e regolare BLACK OFFSET R (Offset nero R) e BLACK OFFSET G (Offset nero G) al livello del grigio corretto.

Segnali SECAM:

- Collegare al televisore un segnale SECAM e regolare BLACK OFFSET R e BLACK OFFSET G al livello del grigio corretto.

Regolazione G2 (vedere >6).

Prima della regolazione di G2, occorre regolare H-CENTER (Centratura orizzontale) in GEOMETRY ADJUSTMENTS (Regolazioni geometria).

- Nel menu PICTURE ADJUSTMENTS, selezionare la riga G2 ADJUSTMENT (Regolazione G2) premendo ►. Lo schermo a questo punto si oscura. Regolare il potenziometro SCREEN del trasformatore EHT finché il LED Stand-by diventa verde (rosso = livello G2 troppo alto, giallo = livello G2 troppo basso, verde = livello G2 corretto), quindi premere **GO** per ritornare al menu PICTURE ADJUSTMENTS.

Regolazioni della geometria

Per le regolazioni della geometria, occorre utilizzare il modello di test del formato standard 4:3 (p.e. Philips).

Le regolazioni della geometria devono si effettuano in formato 1 (4:3) e in formato 2 (16:9).

- Entrare in modalità Service, quindi selezionare MONITOR e GEOMETRY ADJUSTMENTS.

Alcune regolazioni sono fisse e non devono essere modificate:

Vertical S-Correction (V-SC) (Correzione verticale)	35 Formato 1	32 Formato 2
Horizontal sensitivity (EHT) (Sensibilità orizzontale)	0 Formati 1 e 2	
Vertical Zoom (V-ZO) (Zoom verticale)	25 Formati 1 e 2	
Vertical Scroll (VSCR) (Scorrimento verticale)	31 Formati 1 e 2	
Vertical Wait (V-WA) (Attesa verticale)	15 Formati 1 e 2	

Le regolazioni si effettuano innanzitutto in formato 1 (4:3).

- Premere **V.TAPE** per ottenere un'immagine nera.
- Regolare il potenziometro SCREEN del trasformatore EHT finché l'immagine diventa grigia.
- Entrare in modalità Service e selezionare la riga MONITOR.
- Selezionare la riga GEOMETRY ADJUSTMENTS.
- Posizionare il cursore su una riga, utilizzando ▲ e ▼, quindi premere **GO** per selezionare la riga. A questo punto, compare un sottomenu sullo schermo. Con i

pulsanti ▲ e ▼, è possibile alternare i sottomenu.

- Selezionare la riga H-AM (Estensione orizzontale) ed effettuare le regolazioni necessarie per far rientrare l'immagine entro il bordo al fosforo a entrambi i lati dell'immagine. Selezionare la riga H-CENTER ed effettuare le regolazioni necessarie per posizionare l'immagine grigia immediatamente all'esterno del bordo al fosforo sul lato destro dell'immagine, e 6mm all'interno dell'immagine sul lato sinistro. Selezionare la riga H-AM e regolarla per correggere l'ampiezza dell'immagine.
- Regolare G2 come descritto nel paragrafo Regolazioni dell'immagine.

Vertical Shift (V-SH) (Spostamento verticale)

- Impostare BLANKING su 1. Regolare V-SH finché il blanking è centrato in verticale sullo schermo (184mm dalla sommità dell'immagine). Impostare il BLANKING su 0.

Vertical Amplitude (V-AM) (Estensione verticale)

- Regolare V-AM in modo da posizionare l'immagine in alto (7mm dalla sommità dell'immagine alla sommità del cerchio).

Vertical Slope (V-SL) (Inclinazione verticale)

- Regolare V-SL in modo da posizionare l'immagine sul fondo (7mm dal fondo dell'immagine al fondo del cerchio).

Horizontal Phase (H-PH) (Fase orizzontale)

- Regolare H-PH fino a ottenere una corretta centratura dell'immagine.

Horizontal Amplitude (H-AM) (Estensione orizzontale)

- Regolare H-AM per correggere l'ampiezza dell'immagine.

East/West Parabola (EW-P) (Parabola Est / Ovest)

- Regolare EW-P fino a ottenere la corretta geometria dei lati. La parte centrale delle linee verticali deve essere il più possibile diritta.

East/West Upper Corner (EWUC) (Angolo superiore Est / Ovest)

- Regolare EWUC fino a ottenere la corretta geometria degli angoli superiori.

East/West Lower Corner (EWLC) (Angolo inferiore Est / Ovest)

- Regolare EWLC fino a ottenere la corretta geometria degli angoli inferiori.

East/West Trapezium (EW-T) (Trapezio Est / Ovest)

- Regolare EW-T fino a ottenere la geometria corretta.

Horizontal PARAllelogram (H-PA) (Parallelogramma orizzontale)

- Regolare H-PA fino a ottenere la geometria corretta.

Horizontal BOW (BOW) (Arco orizzontale)

- Regolare BOW finché la linea verticale al centro dell'immagine è diritta.

Può rendersi necessario ripetere alcune regolazioni.

- Annotare I valori per H-PH, EWLC, BOW, H-CT e V-SH.
- Premere **GO** per memorizzare le regolazioni.

Uscire dalla modalità Service.

Regolazioni della geometria in formato 2 (16:9)

Occorre effettuare soltanto le regolazioni indicate.

- Accendere il televisore.
- In **LIST** (Lista), alternare le voci elencate finché sul display Beo4 compare **FORMAT**, quindi premere **GO** e **2** per selezionare **FORMAT 2**.
- Entrare in modalità Service e selezionare la riga **MONITOR**.
- Selezionare la riga **GEOMETRY ADJUSTMENTS**.
Quando si seleziona un elemento di regolazione, l'immagine deve passare in 16:9.
- Impostare **H-PH**, **EWLC**, **BOW**, **H-CT** e **V-SH** sui valori del formato 1, e controllare i valori fissi per il formato 2 (v. pagina precedente).

Vertical Amplitude (V-AM) (Estensione verticale)

- Regolare V-AM in modo da posizionare l'immagine in alto (8mm dalla sommità dell'immagine alla sommità del cerchio).

Vertical Slope (V-SL) (Inclinazione verticale)

- Regolare V-SL finché rimangono ca. 99mm dal fondo del cerchio al fondo dello schermo visibile.

Horizontal Amplitude (H-AM) (Estensione orizzontale)

- Regolare H-AM per correggere l'ampiezza dell'immagine.

Horizontal Phase (H-PH) (Fase orizzontale)

- Regolare H-PH fino a ottenere una corretta centratura dell'immagine.

East/West Parabola (EW-P) (Parabola Est / Ovest)

- Regolare EW-P fino a ottenere la corretta geometria dei lati. La parte centrale delle linee verticali deve essere il più possibile diritta.

East/West Upper Corner (EWUC) (Angolo superiore Est / Ovest)

- Regolare EWUC fino a ottenere la corretta geometria degli angoli superiori.

East/West Trapezium (EW-T) (Trapezio Est / Ovest)

- Regolare EW-T fino a ottenere la geometria corretta.

Horizontal PARallelogram (H-PA) (Parallelogramma orizzontale)

- Regolare H-PA fino a ottenere la geometria corretta.

Può rendersi necessario ripetere alcune regolazioni.

- Premere **GO** per memorizzare le regolazioni.

Uscire dalla modalità Service.

Modalità SERVICE

La modalità Service si compone di due parti: Il menu Service e la modalità Ignore (Ignora). Vedere a pag. 5.43 per la descrizione dei menu e del funzionamento in modalità Service.

Menu SERVICE

La riga STAND appare unicamente se il televisore è provvisto di stand motorizzato. La funzione è descritta nel paragrafo dedicato alle regolazioni.

Menu MONITOR SERVICE (Servizio monitor)

Le righe PICTURE ADJUSTMENTS e GEOMETRY ADJUSTMENTS sono descritte nel paragrafo dedicato alle regolazioni.

Informazioni monitor

- Numeri di versione software
La riga "STB SW 1.0" compare unicamente se il Processore M2 1IC200 SDA6000 è fornito con il software di controllo del set-top box.
La riga "STB TABLE 1.0" indica la versione di conversione dei codici di telecomando del set-top box nei codici di Beo4.
- Tipo, voce e numeri di serie
- Stato della protezione antifurto. Mostra se il codice Master è stato immesso correttamente (STORED/NOT STORED) (Memorizzato / Non memorizzato)
- Programmazione delle opzioni
- Ultimi 5 errori TV
- Ultimo errore ML
- Ultimo errore AVL dalle prese V.TAPE e AV

Impostazione delle opzioni

Opzione 0 = Il ricevitore IR del televisore è scollegato.

Opzione 1 = Il televisore e l'impianto Audio (sistema BeoLink) si trovano nella stessa stanza.

Opzione 2 = Il televisore e l'impianto Audio (sistema BeoLink) si trovano in stanze diverse.

Opzione 5 = Il televisore e l'impianto Audio (sistema BeoLink) si trovano nella stessa stanza.

Opzione 6 = Il televisore è l'unico apparecchio nella stanza collegata.

Errori del televisore

Il televisore può rilevare alcuni tipi di errore, e visualizzarli sullo schermo.

Gli ultimi cinque errori del televisore sono segnalati attraverso codici di errore, e visualizzati con l'indicazione del mese/data di riferimento (quattro cifre) fornita dall'orologio del sistema. L'ultimo errore riscontrato è visualizzato in alto. Poiché il televisore non dispone di un orologio hardware, l'indicazione del mese/data può non essere corretta, ma è utile per accertare se si sono verificati più errori alla stessa data.

Possono essere segnalati i seguenti errori del televisore:

....	Nessun errore registrato
DF	Errore nei dati
POR1	Errore di ripristino alimentazione 1
POR2	Errore di ripristino alimentazione 2
PDD	Errore di caduta alimentazione
XX-YZ	(XX = indirizzo IIC Y = bus 1 o bus 2 IIC Z = qualsiasi segmento A/B/C/D del bus IIC)

I codici di errore ML si riferiscono al rilevamento di errori nel sistema Master Link.

. . . .	Nessun errore registrato
CI	Configurazione indirizzo impossibile
TD	Collegamento dati ML impegnato a basso livello
TU	Collegamento dati ML impegnato ad alto livello
??	Altre possibilità di errore indefinibili.
NH	Assenza hardware. Assenza del PCB Master Link nel televisore

Codici di errore AVL dalle prese V.TAPE e AV

. . . .	Nessun errore registrato
TI	Trasmissione impossibile
TD	Collegamento dati impegnato a basso livello

Codici di errore dello stand motorizzato

ST-01	Errore di calibrazione per mancanza di posizioni
ST-02	Errore di calibrazione per eccesso di posizioni
ST-03	Errore di calibrazione EEPROM
ST-04	Errore di calibrazione trasduttore
ST-05	Errore di calibrazione posizione

Dopo la correzione di un errore che ha attivato la visualizzazione del codice corrispondente, è necessario cancellare il codice di errore. Per far ciò, premere **GO** nel menu MONITOR INFORMATION.

Errori del bus IIC

Un errore del bus IIC segnala che la comunicazione sul bus si interrompe quando il microcomputer cerca di comunicare con l'indirizzo in questione.

Nella maggior parte dei casi, questo significa che il circuito integrato (IC) ricevente è difettoso. Tuttavia, il difetto potrebbe trovarsi anche in uno dei componenti circostanti l'IC o in altri componenti del bus. Indirizzi associati agli errori del bus IIC:

IC	Function	On modes	Adr	Clock	BUS
1IC100 TDA9321H	Colour decoder & IF (HIP)	AV	8A	100 kHz	IIC-2A
1TU1 CTF5510	TV tuner	V	C0	100 kHz	IIC-2A
1IC200 SDA6000	M2 Processor	AV	22	400 kHz	IIC-2D
63IC1 TDA8722M	Modulator	AV	C8	100 kHz	IIC-2A
64IC2 TDA7315	Power Link	AV	80	100 kHz	IIC-2B
6IC2 H8/3216	IOP Main processor	SAV	60	400 kHz	IIC-2D
32IC601 H8/3214	Digital Sound AC3	AV	84	100 kHz	IIC1
1IC550 MSP3410D	Sound processor	AV	80	100 kHz	IIC-2C
1IC350 TDA9330H	Video processor (HOP)	V	8C	100 kHz	IIC-3_2
1IC300 TDA9178	CTI	V	40	400 kHz	IIC-3_2
1IC49 PCF8563	Real-time clock	S	A2	100 kHz	IIC1

Modalità di funzionamento

S - Standby mode (Modalità Stand-by)

A - Audio mode (Modalità Audio)

V - Video mode (Modalità Video)

Errore nei dati (DF)

Se si verifica un errore nella EEPROM (6IC6) che impedisce l'invio dei dati di geometria al televisore, il microcomputer sostituisce i dati mancanti con i dati predefiniti memorizzati nel modulo EPROM (6IC3) 999.

Errore di ripristino alimentazione 1 (POR1)

Errore di ripristino o aggiornamento di 1IC100 (modulo TDA9321H 999) durante l'avviamento.

Errore di ripristino alimentazione 2 (POR2)

Errore di ripristino o aggiornamento di 1IC350 (modulo TDA9330H 999) durante l'avviamento.

Errore di caduta alimentazione (PDD)

Errore di mancanza alimentazione su 1IC300 (modulo TDA9178 999).

Configurazione indirizzo impossibile (CI)

Errore durante la fase di configurazione indirizzo. Non è stato assegnato alcun indirizzo poiché al Master Link sono collegate troppe unità.

- Scollegare tutte le unità dal collegamento, e ricollegarle una alla volta.

Dati ML impegnati a livello basso (TD)

Il collegamento è impegnato a basso livello (Basso). Questo errore può manifestarsi sotto forma di cortocircuito fisico nel collegamento, nei driver del collegamento o nel modulo 51 del circuito master/source ML del televisore.

Dati ML impegnati a livello alto (TU)

Il collegamento è impegnato ad alto livello (Alto). Questo errore può manifestarsi sotto forma di cortocircuito fisico nel collegamento, nei driver del collegamento o nel modulo 51 del circuito master/source ML del televisore.

Trasmissione impossibile (TI)

Non è possibile inviare dati al pin 8 della presa V.TAPE o AV, probabilmente per la presenza di rumore.

Collegamento dati impegnato a livello basso (TD)

Il collegamento dati al pin 8 della presa V.TAPE o AV è cortocircuitato a massa.

Errore di calibrazione per mancanza di posizioni (ST-01)

Non si rilevano abbastanza posizioni durante la calibrazione del supporto.
Il supporto può essere bloccato.

Errore di calibrazione per eccesso di posizioni (ST-02)

Si rilevano troppe posizioni durante la calibrazione del supporto.

Errore di calibrazione EEPROM (ST-03)

Errore di memorizzazione offset del supporto nella EEPROM.

Errore di calibrazione trasduttore (ST-04)

Il trasduttore rileva una posizione invalida.

Errore di calibrazione posizione (ST-05)

Il trasduttore rileva valori diversi con il supporto nella stessa posizione.

Informazioni IC

Mostra i numeri di versione dell'IC menzionato.

MSP = 1IC550 (MSP3410D), HIP = 1IC100 (TDA9321H)

PICTP = 1IC300 (TDA9178), HOP = 1IC350 (TDA9330H)

Contatori di servizio

AUDIO = modalità audio. La tensione EHT è assente.

EXT.AUDIO = modalità audio estesa. La tensione EHT è assente, ma tutti gli altri circuiti del televisore sono alimentati.

VIDEO = modalità audio/video.

ON (T*10) = mostra il numero di accensioni del televisore dalla modalità Stand-by.

(Multipli di *10) = I numeri sono indicati per multipli di 10 (es. 10 = 100).

Il numero è indicato in decine intere.

I valori sono memorizzati nella EEPROM. Se si verificano errori di lettura dei valori nella EEPROM, tutti i contatori di servizio si azzerano.

SOUND ADJUSTMENTS (REGOLAZIONI SUONO)

LEFT e RIGHT TREBLE/BASS (Alti e bassi sinistra/destra) sono riservati a un utilizzo futuro.

AVC = Controllo automatico del volume (Automatic Volume Control): può essere impostato su OFF durante la misurazione dei circuiti audio. Quando il televisore è stato spento mediante l'interruttore della rete elettrica, l'AVC viene impostato su ON.

AVC = Controllo volume automatico. Può essere disattivato (Off) quando si misurano i circuiti audio. AVC si attiva (On) quando si spegne il televisore attraverso l'interruttore principale.

- MAX VOLUME LIMIT (Limite di volume massimo): Può essere utilizzato, per esempio, per limitare il volume massimo dei televisori installati in stanze d'albergo.
- Versione software del decodificatore Digital Surround (AC3). Compare solo se è presente un decodificatore AC3 nel televisore.

Regolazioni di Televideo

WSS STATUS (Stato WSS): È utilizzato per la commutazione automatica al suono Digital Dolby Surround se vi sono codici WSS nel segnale.

BROADCAST ONLY (Solo trasmissione): È utilizzabile solo per la commutazione sul segnale del sintonizzatore TV.

DETECT ON (Rilevamento attivo): È utilizzato per la commutazione sui segnali di tutti i dispositivi: sintonizzatore TV, riproduzione DVD, prese V TAPE e AV.

DETECT OFF (Rilevamento inattivo): È utilizzato in particolari circostanze, p.e. quando un basso rapporto segnale-rumore impedisce il rilevamento del segnale e provoca un errore di commutazione.

Selezionando "B&O LANGUAGE" (Lingua B&O), è possibile scegliere tra 7 diversi set di caratteri per Televideo.

- 0 Inglese, tedesco, svedese, italiano, francese, portoghese, slovacco
- 1 Polacco, tedesco, svedese, italiano, francese, croato, slovacco, rumeno
- 2 Inglese, tedesco, svedese, italiano, francese, portoghese, turco
- 3 Inglese, russo, estone, ceco, tedesco, lituano, ucraino
- 4 Inglese, tedesco, svedese, italiano, francese, portoghese, turco, greco
- 5 Inglese, arabo, francese
- 6 Inglese, ebraico, arabo

Se si selezionano le lingue 3 - 6, non è possibile ricevere i caratteri d/r/c/s del livello 2.5 di Televideo.

Se si selezionano le lingue 3 - 6, non è possibile effettuare l'animazione nell'elenco programmi della modalità Televideo.

Informazioni M2

- Versioni software per il processore 11C200 SDA6000 di Televideo.
- STB TIMER (Timer STB): È predefinito al valore 0, ma può essere modificato in caso di problemi di temporizzazione nella fase di avviamento con set-top box particolari.
- HW STATUS (Stato HW): Questa regolazione è riservata al produttore

Ripristina impostazioni predefinite

Selezionando questa riga, è possibile definire le impostazioni.

- Tutti i programmi TV e satellitari sono cancellati.
- Le prese V.TAPE e AV sono impostate su NONE.
- Nel menu di servizio PICTURE ADJUSTMENT, la luminosità, il colore e il contrasto sono impostati sui valori predefiniti.
- Tutti gli elenchi di programmi sono cancellati.
- Alla prima accensione del televisore, compare il menu TV SETUP TUNE (Sintonizzazione televisore).
- OPTION è impostato su 2.
- La configurazione della protezione antifurto non è modificata.

Quando si seleziona l'opzione RESET TO DEFAULT, compare il messaggio PLEASE WAIT 30 SEC. (Attendere 30 sec.) Durante la visualizzazione di questo messaggio, è necessario astenersi da qualunque operazione. Quando il messaggio scompare, si esce dalla modalità Service.

Menu TV SERVICE (Servizio televisore)

In TUNER SYSTEM (Sintonizzatore), è possibile impostare solo i sintonizzatori appropriati su ON (solo quelli dei televisori multi-standard). Questa operazione si esegue per ridurre i tempi di sintonizzazione.

AFC ON/OFF è utilizzato per le regolazioni, ma può essere utile anche in altre occasioni. AFC è impostato su ON quando il televisore è stato spento attraverso l'interruttore principale di alimentazione.

LOW TUN RANGE (Banda bassa del sintonizzatore)	45
HIGH TUN RANGE (Banda alta del sintonizzatore)	860
LOWER BAND LIMIT (Limite inferiore della banda)	170
UPPER BAND LIMIT (Limite superiore della banda)	450

VHF-1 CONSTANT (Costante VHF 2)	161
VHF-2 CONSTANT (Costante VHF 2)	146
UHF CONSTANT (Costante UHF)	52

Queste voci sono riservate al produttore.

TUNER TAKEOVER (Rileva sintonizzatore)	26
IF ADJUST (Regolazione IF)	8
AFC STATUS (Stato AFC)	O/H
FM SOUND ADJUST (Regolazione suono FM)	14
MODULATOR SYSTEM (Sistema modulatore)	B/G

Queste voci sono descritte nel paragrafo dedicato alle regolazioni.

Modalità Ignore bus

Se nel sistema bus IIC si verifica un errore che mette in Stand-by il televisore ogni qualvolta si tenta di accenderlo, si può ricorrere a una modalità di accensione del televisore che consente di ignorare l'errore:

- Il televisore deve essere in Stand-by.
- Mettere in cortocircuito i due terminali di saldatura (contrassegnati da J40 e 11A sul PCB1).
- Premere TV. Il televisore si avvia in modalità Ignore bus con il menu Service, se possibile.

IMPORTANTE L'accensione del televisore in modalità Ignore può provocare ulteriori danni al televisore.

- Uscire dalla modalità Ignore. Spegnerne il televisore.

ABO-CENTER V/HENRIKSENS ELEKTRONIK

Protezione antifurto

La protezione antifurto è un codice PIN a quattro cifre, stabilito dall'utente, che deve essere immesso quando l'apparecchio rimane scollegato dalla rete elettrica per 30 minuti.

La protezione antifurto è sempre disattivata in fabbrica. La sua attivazione è affidata all'utente.

Se la protezione antifurto è attiva, e il televisore rimane scollegato dalla rete elettrica per 15-30 minuti, l'utente è tenuto a inserire il codice PIN a quattro cifre all'accensione del televisore.

Prima di consegnare il televisore al servizio assistenza, è opportuno che il cliente disattivi la protezione antifurto.

Codice di servizio

Se il codice PIN è attivato e il prodotto è in assistenza, è possibile intervenire sull'apparecchio per 12 ore dopo l'immissione di un Codice di servizio a 5 cifre (1 1 1 1 1).

L'immissione di questo codice permette di intervenire sull'apparecchio per 12 ore in condizioni di piena funzionalità, e di apportare modifiche ai moduli senza nominare / registrare nell'apparecchio i moduli sostituiti. Le 12 ore di funzionamento sono garantite solo se l'apparecchio è collegato alla rete elettrica!

Immettendo il codice PIN del cliente o il codice Master, si nominano / registrano i moduli sostituiti nell'apparecchio. La registrazione dei moduli non può essere modificata.

Il Codice di servizio può essere immesso quando il televisore è rimasto scollegato dalla tensione di rete per 15-30 minuti.

All'accensione del televisore, compare il menu PINCODE.

Tenere premuto ◀ (rewind = riavvolgimento) per tre secondi finché compare il menu MASTERCODE, quindi immettere il Codice di servizio 1 1 1 1 1 e premere GO.

Sostituzione del microcomputer principale PCB6

Quando si sostituisce lo chassis elettrico che comprende il PCB6, occorre ricordarsi di rimuovere l'EEPROM 6IC6 dal modulo difettoso, e di trasferirla nel nuovo PCB6, in quanto la EEPROM contiene una serie di dati preziosi (numero di serie, codice PIN, ecc.).

Non è possibile trasferire i dati nel nuovo modulo finché non si disattiva la protezione antifurto o non sono trascorse 12 ore dalla connessione alla rete elettrica. Ciò significa che è possibile verificare il funzionamento di un nuovo PCB6 senza trasferire il numero di serie dell'apparecchio, ecc.

Nota!

Se dopo aver provato un nuovo PCB6 e aver trasferito il numero di serie al nuovo PCB6, dovesse risultare che il vecchio modulo PCB6 non era difettoso, occorre rinviare il nuovo PCB6 a Bang & Olufsen per la ricancellazione, in quanto il nuovo modulo può essere utilizzato solo per questo apparecchio specifico.

Se le funzioni dell'apparecchio sono esatte e la protezione antifurto funziona correttamente, non occorre verificare la funzionalità della protezione antifurto.

Sostituzione del PCB6 e della EEPROM 6IC6

Se il PCB6 e la EEPROM 6IC6 devono essere contemporaneamente sostituiti, è indispensabile richiedere a Bang & Olufsen di preprogrammare entrambi i moduli con il numero di serie corretto, altrimenti nessuno dei due sarà in grado di funzionare.

Rivolgersi a Bang & Olufsen.

Attivazione del sistema del codice PIN

Selezionare il menu TV SETUP (Impostazioni televisore).
Premere due volte **◀** e poi **STOP** per visualizzare il menu PINCODE SETUP (Impostazione codice PIN).
Immettere il codice PIN a 4 cifre in Beo4.
Premere **GO** dopo aver immesso l'ultima cifra. Reinscrivere il codice per confermarlo, quindi premere **GO**.
Per modificare o eliminare il codice PIN, immettere il codice PIN corretto e premere **GO**.
A questo punto, è possibile modificare o eliminare il codice PIN.

Immissione del Codice PIN

Se il sistema del codice PIN è attivo e il televisore rimane scollegato dalla rete elettrica per oltre 30 minuti, compare il menu PINCODE non appena si accende il televisore.
Immettere le cifre del codice PIN e premere **GO** dopo l'ultima cifra, quindi riavviare il sistema.

Se si dimentica il codice PIN

Se si dimentica il codice PIN (5 tentativi nell'arco di 3 ore con l'apparecchio collegato alla rete elettrica), l'unico modo per sbloccare il televisore è immettere un codice Master a 5 cifre.
Il codice Master può essere ordinato inviando una richiesta attraverso la rete di rivenditori autorizzati o utilizzando il formulario di richiesta del codice Master.
Qualora non sia disponibile nessuna di queste opzioni, rivolgersi a Bang & Olufsen.
Quando il televisore richiede il codice PIN, mantenere premuto **◀** per far comparire il menu MASTERCODE.
Inserire il codice Master e premere **GO**. Questa operazione disattiva il codice PIN e riattiva il televisore.

Programmazione Flash del processore M2

Non è possibile integrare un modulo di controllo del set-top box nello chassis. Il controllo del set-top box è un componente software (software STB-C e tabella STB-C) che deve essere programmato con Flash nel processore M2. Il software applicativo del processore M2 può essere programmato con Flash. A tal fine, Bang & Olufsen ha messo a punto uno strumento specifico, denominato "Flash Tool", come applicazione PC / LapTop per l'installazione o l'aggiornamento del software STB-C e del software applicativo M2.

Strumenti richiesti per la programmazione Flash

- PC/LapTop con applicazione "Flash Tool" di Bang & Olufsen (disponibile presso la Rete di vendita).
- Kit di cavi n° 3375397.

Programmazione Flash

Aggiornamento del software M2

(la presa di uscita IR non è presente)

Se la presa di uscita IR non è presente, il solo software da aggiornare è l'applicativo M2.

Scollegare il televisore dalla rete elettrica.

- Rimuovere il coperchio posteriore (vedere pagina 6.7).
- Collegare unicamente il kit di cavi a 1P51.
- Avviare "Flash Tool", scegliere "Products" (Prodotti) e seguire le informazioni visualizzate sullo schermo del PC.

Software di installazione/aggiornamento

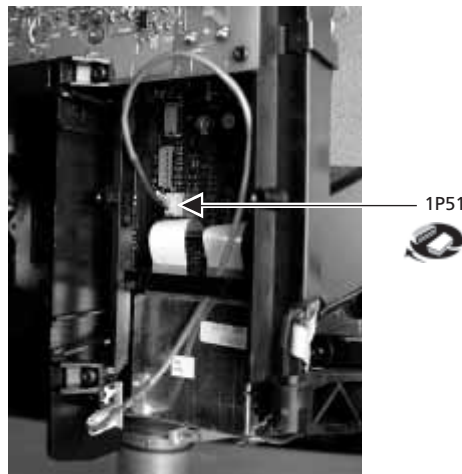
(la presa di uscita IR è presente)

Se il televisore è dotato di una presa di uscita IR, è possibile installare/aggiornare sia il software applicativo M2, sia il software STB-C attraverso questa connessione.

- Scollegare il televisore dalla rete elettrica.
- Avviare "Flash Tool", scegliere "Products" e seguire le informazioni visualizzate sullo schermo del PC.

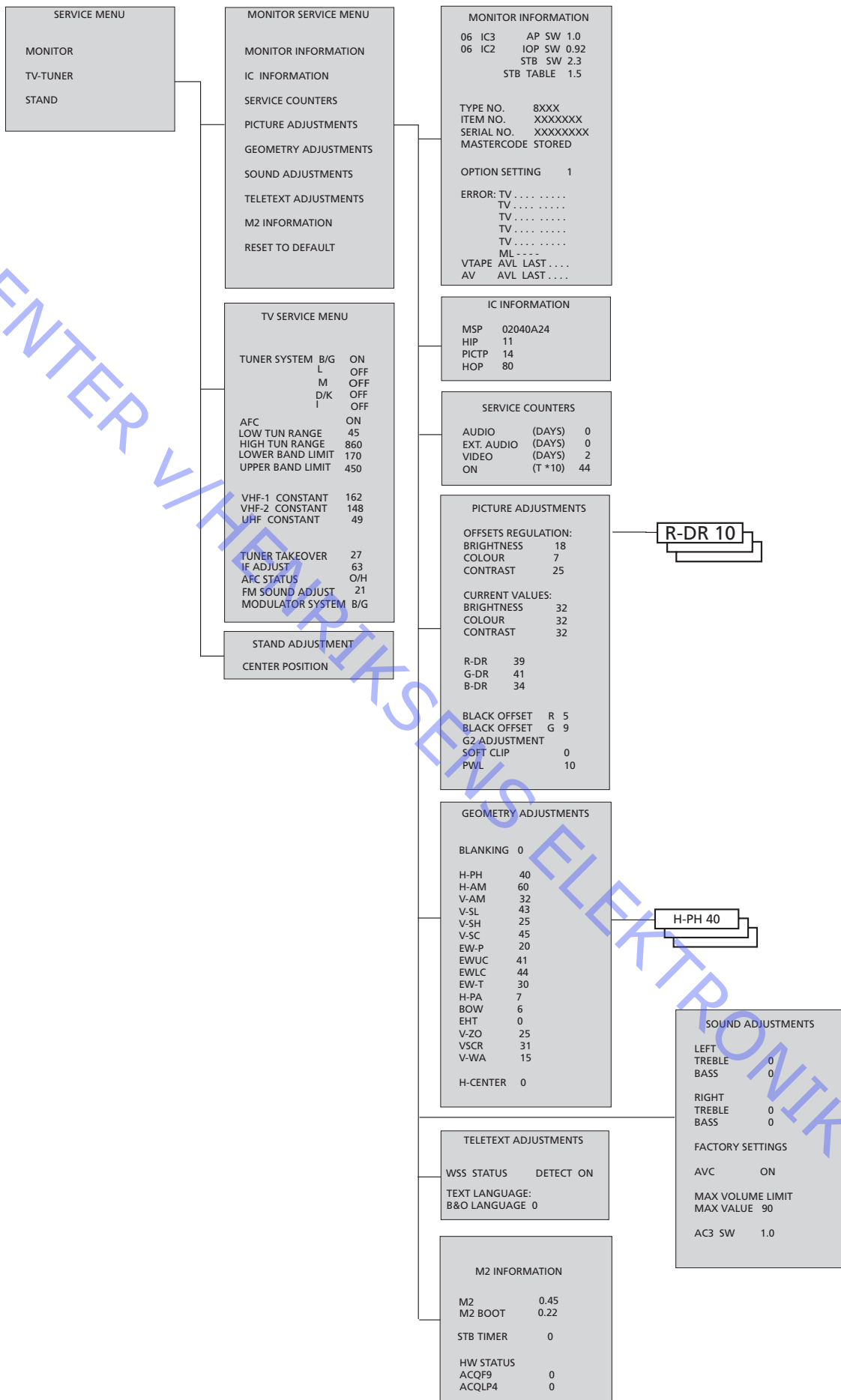
Nota!

Le versioni software possono essere verificate nel menu Service.



AJUSTES

La mayoría de los ajustes se hace en el Modo de Servicio. A continuación se da un resumen de los menús de Modo de Servicio.



Acceso al modo de Servicio

Seleccione el menú SETUP.

Beo4: Pulse **0 0 GO** en el intervalo de 3 segundos.

Seleccione el funcionamiento de menú normal para salir del modo de Servicio.

Funcionamiento en el modo de Servicio.

Beo4	Actividad
EXIT	Sale de los menús
GO	- Selecciona el submenú de la línea de menú donde se coloque el cursor - Guarda los valores seleccionados y vuelve al menú SERVICE - Borra los códigos de error del menú MONITOR INFORMATION y vuelve al menú SERVICE
▲	Mueve el cursor hacia arriba y vuelve al menú anterior
▼	Mueve el cursor hacia abajo y selecciona un submenú en ocasiones especiales
◀ ▶	Selecciona nuevos valores de los menús y un submenú en ocasiones especiales

Importante:

Al sustituir el chasis eléctrico, incluido PCB1, PCB AV, PCB3, salida de vídeo, PCB4, fuente de alimentación y deflexión, y PCB6, microordenador principal, hay que trasladar al nuevo PCB6 las antiguas EEPROM 61C6 para evitar la pérdida de datos. En el ángulo inferior izquierdo de PCB1, proceso de la señal AV, hay una pequeña etiqueta en la que figuran los valores de ajuste de TUNER TAKEOVER (Toma de control del sintonizador), IF ADJUST (Ajuste de FI) y FM SOUND ADJUST (Ajuste del sonido de FM). Estos valores deben escribirse en la EEPROM antigua. Al sustituir PCB6 hay que trasladar también al nuevo PCB6 las antiguas EEPROM 61C6.

Soporte (sólo en televisores con soporte motorizado)

Hay que ajustarlo cuando se ha instalado en el televisor la caja de engranajes con la tarjeta PCB92 de control del motor del soporte, o si se ha sustituido cualquier pieza del chasis eléctrico que contiene la tarjeta PCB6 y la EEPROM 61C6.

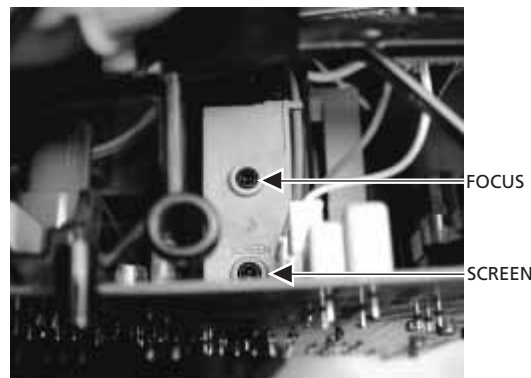
- Entre al modo de Servicio y seleccione la línea STAND (Soporte).
- Pulse **GO**; cuando aparezca CALIBRATION OK (Calibración correcta) se habrá encontrado la posición central del soporte motorizado.

Para realizar los ajustes siguientes se debe usar una carta de ajuste 4:3 estándar (p. ej. de Philips).

Foco

- Ajuste el foco óptimo de las líneas verticales, vistas a unos 10 cm/4" del borde de la pantalla, con el potenciómetro FOCUS situado en el transformador MAT (véase >6).

>6



Ajuste de la imagen

Los ajustes de imagen deben hacerse en una habitación a oscuras y sólo en el formato 1 (4:3).

- Seleccione PICTURE (Imagen) en el menú OPTIONS (Opciones) y ajuste los valores de brillo, contraste y color (BRIGHTNESS / CONTRAST / COLOUR) a la posición media. Pulse **GO** para guardar estos valores.
- Entre al modo de Servicio y seleccione la línea MONITOR.
- Seleccione la línea PICTURE ADJUSTMENTS (Ajustes de imagen).
- Compruebe que el valor de BRIGHTNESS, CONTRAST y COLOUR en CURRENT VALUES (Valores actuales) es 32.

Algunos ajustes son fijos y no deben ajustarse:

- OFFSETS REGULATIONS:

BRIGHTNESS	18
CONTRAST	25
COLOUR	7
SOFT CLIP	0
PWL	10

- Ajuste R-DR, G-DR y B-DR al nivel de blanco correcto.

Señales PAL/NTSC:

- Conecte una señal PAL al televisor y ajuste BLACK OFFSET R y BLACK OFFSET G al nivel de grises correcto.

Señales SECAM:

- Conecte una señal SECAM al televisor y ajuste BLACK OFFSET R y BLACK OFFSET G al nivel de grises correcto.

Ajuste de G2 (véase >6).

Antes del ajuste de G2, debe efectuarse el ajuste del centrado horizontal (H-CENTER) en GEOMETRY ADJUSTMENTS (Ajustes de geometría).

- Seleccione la línea G2 ADJUSTMENT (Ajuste de G2) en el menú PICTURE ADJUSTMENTS pulsando ►. Ahora la pantalla quedará en negro. Ajuste el potenciómetro SCREEN situado en el transformador de alta tensión hasta que el LED de espera activa se ilumine en verde (rojo = G2 demasiado alto, amarillo = G2 demasiado bajo, verde = G2 correcto). Luego pulse **GO** para volver al menú PICTURE ADJUSTMENTS.

Ajustes de la geometría

Para realizar los ajustes de geometría se debe usar una carta de ajuste 4:3 estándar (p. ej. de Philips)

Estos ajustes tienen que efectuarse en el formato 1 (4:3) y el formato 2 (16:9).

- Entre al modo de Servicio y seleccione MONITOR, GEOMETRY ADJUSTMENTS.

Algunos ajustes son fijos y no deben ajustarse:

Corrección S vertical (V-SC)	35 Formato 1	32 Formato 2
Sensibilidad horizontal (EHT)	0 Formatos 1 y 2	
Zoom vertical (V-ZO)	25 Formatos 1 y 2	
Desplazamiento vertical (VSCR)	31 Formatos 1 y 2	
Espera vertical (V-MA)	15 Formatos 1 y 2	

Los ajustes deben realizarse primero en el formato 1 (4:3).

- Pulse **V.TAPE** para obtener una imagen negra.
- Ajuste el potenciómetro SCREEN del transformador MAT hasta que la imagen cambie a gris.
- Entre al modo de Servicio y seleccione la línea MONITOR.
- Seleccione la línea GEOMETRY ADJUSTMENTS.

- Coloque el cursor en una línea por medio de ▲ y ▼ y pulse GO para seleccionarla. Aparecerá un menú pequeño en la pantalla. Se puede cambiar de un menú pequeño a otro con los botones ▲ y ▼.
- Seleccione la línea H-AM (Amplitud horizontal) y ajuste hasta que ambos lados de la imagen queden dentro del borde de fósforo. Seleccione la línea H-CENTER (Centrado horizontal) y ajuste hasta que la imagen gris quede inmediatamente fuera del borde de fósforo en el lado derecho de la imagen y a 6 mm dentro de la imagen en el lado izquierdo.
- Seleccione la línea H-AM y ajuste para corregir la anchura de la imagen.
- Realice el ajuste de G2 como se describe en AJUSTES DE LA IMAGEN.

Desplazamiento vertical (V-SH)

- Ajuste BLANKING a 1. Ajuste V-SH hasta que la supresión del haz esté en el centro vertical de la pantalla (es decir, a 184 mm de la parte superior de la imagen) Ajuste BLANKING a 0.

Amplitud vertical (V-AM)

- Ajuste V-AM para adaptar la imagen en la parte superior (es decir, a 7 mm de la parte superior de la imagen a la parte superior del círculo).

Pendiente vertical (V-SL)

- Ajuste V-SL para adaptar la imagen en la parte inferior (es decir, a 7 mm de la parte inferior de la imagen a la parte inferior del círculo).

Fase horizontal (H-PH)

- Ajuste H-PH para conseguir el centrado correcto de la imagen.

Amplitud horizontal (H-AM)

- Ajuste H-AM para conseguir la anchura correcta de la imagen.

Parábola este/oeste (EW-P)

- Ajuste EW-P para conseguir la geometría correcta en los lados. La zona media de las líneas verticales debe estar tan recta como sea posible.

Esquina superior este/oeste (EWUC)

- Ajuste EWUC para conseguir la geometría correcta en las esquinas superiores.

Esquina inferior este/oeste (EWLC)

- Ajuste EWLC para conseguir la geometría correcta en las esquinas inferiores.

Trapezoide este/oeste (EW-T)

- Ajuste EW-T para conseguir la geometría correcta.

Paralelogramo horizontal (H-PA)

- Ajuste H-PA para conseguir la geometría correcta.

Curvatura horizontal (BOW)

Ajuste BOW hasta que las líneas verticales a ambos lados de la imagen estén rectas.

Puede que tenga que repetirse alguno de los ajustes.

- Anote los valores de H-PH, EWLC, BOW, H-CT y V-SH.
- Pulse GO para guardar los ajustes.

Salga del modo de Servicio.

Ajustes de la geometría en el formato 2 (16:9)

Sólo tienen que realizarse los ajustes que se mencionan a continuación.

- Encienda el televisor.
- Desplácese por **LIST** hasta que aparezca **FORMAT** en el visor de Beo4 y luego pulse **GO** y **2** para seleccionar **FORMAT 2**.
- Entre al modo de Servicio y seleccione la línea **MONITOR**.
- Seleccione la línea **GEOMETRY ADJUSTMENTS**.
Al seleccionar un parámetro de ajuste, la imagen debe cambiar al formato 16:9.
- Ajuste **H-PH**, **EWLC**, **BOW**, **H-CT** y **V-SH** a los valores del formato 1 y compruebe los valores fijos del formato 2; consulte la página anterior.

Amplitud vertical (V-AM)

- Ajuste **V-AM** para adaptar la imagen en la parte superior (es decir, a 8mm de la parte superior de la imagen a la parte superior del círculo).

Pendiente vertical (V-SL)

- Ajuste **S-VL** hasta que esté a unos 99 mm aproximadamente de la parte inferior del círculo a la parte inferior de la pantalla visible.

Amplitud horizontal (H-AM)

- Ajuste **H-AM** para conseguir la anchura correcta de la imagen.

Fase horizontal (H-PH)

- Ajuste **H-PH** para conseguir el centrado correcto de la imagen.

Parábola este/oeste (EW-P)

- Ajuste **EW-P** para conseguir la geometría correcta en los lados. La zona media de las líneas verticales debe estar tan recta como sea posible.

Esquina superior este/oeste (EWUC)

- Ajuste **EWUC** para conseguir la geometría correcta en las esquinas superiores.

Trapezoide este/oeste (EW-T)

- Ajuste **EW-T** para conseguir la geometría correcta.

Paralelogramo horizontal (H-PA)

- Ajuste **H-PA** para conseguir la geometría correcta.

Puede que tenga que repetirse alguno de los ajustes.

- Pulse **GO** para guardar los ajustes.

Salga del modo de Servicio.

MODO DE SERVICIO

El modo de Servicio consta de dos partes: Menú Service y modo Bus ignore. Consulte en la página 5.57 una vista general de los menús del modo de Servicio y el funcionamiento en dicho modo.

MENÚ SERVICE (Servicio)

La línea STAND sólo aparece si el televisor incorpora el soporte motorizado. La función se describe en la sección de ajustes.

MENÚ MONITOR SERVICE (Servicio de monitor)

Las líneas PICTURE ADJUSTMENTS y GEOMETRY ADJUSTMENTS se describen en la sección de ajustes.

MONITOR INFORMATION (Información de monitor)

- Números de versión del software
La línea "STB SW 1.0" sólo aparece si el procesador M2, 1IC200 SDA6000, incluye el software del controlador de receptor digital.
La línea "STB TABLE 1.0" muestra la versión de la conversión de los códigos del mando a distancia del receptor digital en los códigos de Beo4.
- Números de tipo, elemento y serie
- Estado de protección contra robo. Muestra si se ha introducido correctamente el código maestro (STORED/NOT STORED) (Guardado/No guardado).
- Programación de opciones
- Cinco errores del televisor más recientes
- Error ML más reciente
- Error AVL más reciente con origen en los conectores V.TAPE y AV

OPTION SETTING (Ajuste de opciones)

Opción 0 = El receptor de infrarrojos del televisor está desconectado.

Opción 1 = El televisor y el sistema de sonido (sistema BeoLink) están situados en la misma habitación.

Opción 2 = El televisor y el sistema de sonido (sistema BeoLink) están situados en habitaciones diferentes.

Opción 5 = El televisor y el sistema de sonido (sistema BeoLink) están situados en la misma habitación periférica.

Opción 6 = El televisor es el único producto en la habitación periférica.

ERROR: TV

El televisor puede detectar ciertos tipos de error y presentarlos en la pantalla.

Los cinco errores del televisor más recientes se muestran como códigos de error y aparecen con el mes/fecha (cuatro dígitos); esta información la suministra el reloj del sistema. El error más reciente se visualiza en la parte superior. Como el televisor no tiene reloj de hardware, el mes/fecha visualizado no será correcto, pero puede usarse para ver si se han producido más errores en la misma fecha.

Pueden aparecer los siguientes tipos de error del televisor:

...	No se ha registrado ningún error
DF	Fallo de datos
POR1	Fallo de reinicialización de encendido 1
POR2	Fallo de reinicialización de encendido 2
PDD	Detección de fallo de apagado
XX-YZ	(XX = dirección IIC Y = bus IIC 1 ó 2 Z = cualquier segmento A/B/C/D del bus IIC)

Los códigos de error ML se utilizan para la detección de errores en el sistema Master Link.

. . . .	No se ha registrado ningún error
CI	Configuración de dirección imposible
TD	Datos ML a nivel bajo
TU	Datos ML a nivel alto
??	Otras posibilidades de error indefinibles
NH	No hay hardware. El televisor no tiene la tarjeta Master Link.

Códigos de error AVL con origen en los conectores V.TAPE y AV

. . . .	No se ha registrado ningún error
TI	Transmisión imposible
TD	Enlace de datos a nivel bajo

Códigos de error del soporte motorizado

ST-01	Error de calibración: muy pocas posiciones
ST-02	Error de calibración: demasiadas posiciones
ST-03	Error de calibración: EEPROM
ST-04	Error de calibración: transductor
ST-05	Error de calibración: posición

Después de reparar un error que ha activado la presentación de un código, éste tiene que eliminarse. Para hacerlo, pulse **GO** en el menú MONITOR INFORMATION.

Error del bus IIC

Un error del bus IIC implica que la comunicación en el bus falla cuando el microprocesador intenta comunicar con la dirección en cuestión.

En la mayoría de los casos esto significa que el circuito integrado (CI) direccionado está defectuoso, pero el defecto podría estar también en uno de los componentes que rodean al CI o en otros componentes del bus. Direcciones en relación con los errores del bus IIC:

IC	Function	On modes	Adr	Clock	BUS
1IC100 TDA9321H	Colour decoder & IF (HIP)	AV	8A	100 kHz	IIC-2A
1TU1 CTF5510	TV tuner	V	C0	100 kHz	IIC-2A
1IC200 SDA6000	M2 Processor	AV	22	400 kHz	IIC-2D
63IC1 TDA8722M	Modulator	AV	C8	100 kHz	IIC-2A
64IC2 TDA7315	Power Link	AV	80	100 kHz	IIC-2B
6IC2 H8/3216	IOP Main processor	SAV	60	400 kHz	IIC-2D
32IC601 H8/3214	Digital Sound AC3	AV	84	100 kHz	IIC1
1IC550 MSP3410D	Sound processor	AV	80	100 kHz	IIC-2C
1IC350 TDA9330H	Video processor (HOP)	V	8C	100 kHz	IIC-3_2
1IC300 TDA9178	CTI	V	40	400 kHz	IIC-3_2
1IC49 PCF8563	Real-time clock	S	A2	100 kHz	IIC1

En los modos:

- S - Modo de espera activa
- A - Modo de audio
- V - Modo de vídeo

Fallo de datos (DF)

Si se produce un error en la EEPROM (6IC6) que evita la salida de los datos de geometría hacia el televisor, el microordenador sustituirá los datos que faltan con los datos predeterminados que se guardan en la EEPROM (6IC3), módulo 999.

Fallo de reinicialización de encendido 1 (POR1)

Fallo de reinicialización o actualización de 1IC100 (TDA9321H, módulo 999) durante el arranque.

Fallo de reinicialización de encendido 2 (POR2)

Fallo de reinicialización o actualización de 1IC350 (TDA9330H, módulo 999) durante el arranque.

Detección de fallo de apagado (PDD)

Fallo de apagado detectado en 1IC300 (TDA9178 módulo 999).

Configuración de dirección imposible (CI)

Error durante la configuración de la dirección. No se ha asignado una dirección porque se ha conectado un número excesivo de unidades a Master Link.

- Desconecte todas las unidades del enlace y vuelva a conectarlas de una en una.

Datos ML a nivel bajo (TD)

El enlace es descendente (Bajo). Este error se produce en forma de un cortocircuito en el enlace; en los controladores del enlace o en el modulo 51 del circuito maestro/fuente ML del televisor.

Datos ML a nivel alto (TU)

El enlace es ascendente (Alto). Este error se produce en forma de un cortocircuito en el enlace; en los controladores del enlace o en el modulo 51 del circuito maestro/fuente ML del televisor.

Transmisión imposible (TI)

No es posible enviar datos a la patilla 8 del conector V.TAPE o AV, probablemente debido al ruido.

Enlace de datos a nivel bajo (TD)

La conexión del enlace de datos a la patilla 8 del conector V.TAPE o AV está cortocircuitada a masa.

Error de calibración: muy pocas posiciones (ST-01)

Muy pocas posiciones leídas durante la calibración del soporte. El soporte puede bloquearse.

Error de calibración: demasiadas posiciones (ST-02)

Demasiadas posiciones leídas durante la calibración del soporte.

Error de calibración: EEPROM (ST-03)

Fallo al guardar la desviación del soporte en la EEPROM.

Error de calibración: transductor (ST-04)

Posición no válida leída en el transductor.

Error de calibración: posición (ST-05)

Varias lecturas en el transductor con el soporte en la misma posición.

IC INFORMATION (Información del CI)

Muestra los números de versión de los circuitos integrados mencionados.

MSP = 1IC550 (MSP3410D), HIP = 1IC100 (TDA9321H)

PICTP = 1IC300 (TDA9178), HOP = 1IC350 (TDA9330H)

SERVICE COUNTERS (Contadores de servicio)

AUDIO = modo de audio; la señal MAT está apagada.

EXT.AUDIO = modo de audio extendido; la señal MAT está apagada pero hay suministro de corriente al resto de los circuitos del televisor.

VIDEO = modo de audio/vídeo.

ON (T*10) = muestra cuántas veces se ha encendido el aparato partiendo del estado de espera activa.

(T*10) = Los números aparecen en múltiplos de 10 (p. ej. 10 = 100).

El número aparece expresado en decenas completas.

Los valores quedan guardados en la EEPROM. Si se produce una lectura errónea de los valores de la EEPROM, entonces todos los valores de los contadores activos se pondrán a cero.

SOUND ADJUSTMENTS

LEFT y RIGHT TREBLE/BASS para uso futuro.

AVC = Control automático de volumen. Puede desactivarse para hacer medidas en los circuitos de audio. El AVC se activa al desconectar el televisor con el interruptor de alimentación.

AVC = Control Automático del Volumen; se puede dejar en estado OFF (Apagado) cuando se realicen mediciones en los circuitos de audio. Esta función está en estado ON (activada) cuando el televisor ha sido apagado desde el interruptor principal.

- MAX VOLUME LIMIT: Puede utilizarse, por ejemplo, para limitar el volumen máximo en los televisores de las habitaciones de hoteles según la normativa.
- Versión del software del descodificador digital de sonido envolvente (AC3). Sólo aparece si hay un descodificador AC3 en el televisor.

AJUSTES DEL TELETXTO

WSS STATUS (Estado WSS): Se utiliza para conmutar de forma automática a Digital Dolby Surround Sound si hay códigos WSS en la señal.

BROADCAST ONLY (Sólo emisión): Solamente conmuta a la señal procedente del sintonizador del televisor.

DETECT ON (Detección activada): Conmuta a señales procedentes de todas las fuentes, sintonizador de TV, reproductor de DVD y conectores V TAPE y AV.

DETECT OFF (Detección desactivada): Se utiliza bajo ciertas condiciones; por ejemplo, con una relación señal-ruido pobre la detección puede fallar, lo que puede acarrear fallos en la conmutación.

Si selecciona "B&O LANGUAGE" (Idioma de B&O) podrá elegir entre 7 juegos de caracteres para el teletexto.

- 0 Inglés, Alemán, Sueco, Italiano, Francés, Portugués, Eslovaco
- 1 Polaco, Alemán, Sueco, Italiano, Francés, Croata, Eslovaco, Rumano
- 2 Inglés, Alemán, Sueco, Italiano, Francés, Portugués, Turco
- 3 Inglés, Ruso, Estonio, Checo, Alemán, Lituano, Ucraniano
- 4 Inglés, Alemán, Sueco, Italiano, Francés, Portugués, Turco, Griego
- 5 Inglés, Árabe, Francés
- 6 Inglés, Hebreo, Árabe

Si se eligen los idiomas del 3 al 6, no se podrán recibir los caracteres d/r/c/s del nivel de teletexto 2.5.

Si se eligen los idiomas del 3 al 6, no se podrá hacer una animación de la lista de canales en el modo teletexto.

M2 INFORMATION (Información de M2)

- Versiones del software del procesador de teletexto 1IC200 SDA6000.
- STB TIMER (Temporizador STB): Por defecto se establece en 0, pero puede modificarse si se producen problemas de sincronización durante el arranque con determinados receptores digitales.
- HW STATUS (Estado HW): Para uso en fábrica.

RESET TO DEFAULT (Restablecer a valores predeterminados)

Cuando esta línea está seleccionada, los parámetros se restablecerán a sus valores predeterminados.

- Se borrarán todos los canales de televisión y radio.
- Los conectores V.TAPE y AV se establecerán a NONE (Ninguno).
- En el menú de servicio PICTURE ADJUSTMENT los parámetros de brillo, color y contraste se establecerán a sus valores predeterminados.
- Se borrarán todas las listas de canales.
- Aparecerá el menú TV SETUP TUNE la primera vez que se encienda el televisor.
- OPTION tomará el valor 2.

La configuración de protección contra robo no se alterará.

Al seleccionar RESET TO DEFAULT aparecerá el mensaje "PLEASE WAIT 30 SEC" (Espere 30 segundos). Mientras se muestra el texto no puede realizarse ninguna operación. Cuando desaparece el mensaje, se sale del modo de Servicio.

MENÚ TV SERVICE (Servicio de TV)

En TUNER SYSTEM (Sistema sintonizador) sólo se pueden activar (ON) los sistemas de sintonizador principales (sólo en televisores multiestándar), para reducir el tiempo de sintonización.

AFC ON/OFF se utiliza junto con los ajustes pero también puede ser útil en otra situación.

AFC se activa (ON) al apagar el televisor con el interruptor de alimentación.

LOW TUN RANGE (Rango de ajuste inferior)	45
HIGH TUN RANGE (Rango de ajuste superior)	860
LOWER BAND LIMIT (Límite de banda superior)	170
UPPER BAND LIMIT (Límite de banda inferior)	450

VHF-1 CONSTANT (Constante VHF-2)	161
VHF-2 CONSTANT (Constante VHF-2)	146
UHF CONSTANT (Constante UHF)	52

Los parámetros siguientes sólo se utilizan en fábrica.

TUNER TAKEOVER (Control sintonizador)	26
IF ADJUST (Ajuste de frecuencia intermedia)	8
AFC STATUS (Estado AFC)	O/H
FM SOUND ADJUST (Ajuste sonido FM)	14
MODULATOR SYSTEM (Sistema modulador)	B/G

Estos parámetros se describen en la sección de ajustes.

Modo Bus ignore (Ignorar bus)

Si se produce un error en el sistema del bus IIC que hace que el televisor entre en el modo de espera cada vez que se intenta encenderlo, es posible encender el televisor de forma que el error se ignore:

- El televisor debe estar en el modo de espera activa.
- Cortocircuite los dos terminales de soldadura (identificados con J40, coordenada 11A de PCB1).
- Pulse TV. El televisor arrancará ahora en el modo Bus Ignore con el menú de servicio si es posible.

¡IMPORTANTE! Si el televisor arranca en el modo Bus Ignore, puede dañarse.

- Salga del modo Bus Ignore. Apague el televisor.

ABO-CENTER V/HENRIKSENS ELEKTRONIK

PROTECCIÓN CONTRA ROBO

El sistema de protección contra robo tiene un código PIN de 4 dígitos elegido por el cliente, que debe introducirse si el televisor ha estado desconectado de la red durante 30 minutos.

El sistema antirrobo está siempre desactivado al salir de fábrica y es el usuario quien debe activarlo.

Si está activado y el televisor ha estado desconectado entre 15 y 30 minutos, se solicitará al usuario que introduzca el código PIN de 4 dígitos cuando encienda el televisor.

Antes de proceder al mantenimiento del televisor es mejor solicitar al cliente que desactive el sistema antirrobo.

Código de servicio

Si el código PIN está activado y el producto está en situación de servicio, existe la posibilidad de 12 horas de servicio introduciendo el código de servicio de 5 dígitos 1 1 1 1 1.

Este código ofrece 12 horas de funcionalidad total para realizar el servicio en el producto y cambiar módulos sin nombrar/registrarse los módulos sustituidos en el producto del cliente. ¡Estas 12 horas se ponen en marcha únicamente cuando el producto se conecta a la red!

Si se introduce el código PIN del cliente o el código maestro, los módulos sustituidos serán nombrados y/o registrados en el producto. El registro de los módulos no puede modificarse.

El código de servicio se puede introducir cuando el televisor ha estado desconectado de la red entre 15 y 30 minutos.

Al encender el televisor aparecerá el menú PINCODE. Pulse ⏮ (rebobinar) durante 3 segundos para que se muestre el menú MASTERCODE, introduzca el código de servicio 1 1 1 1 1 y pulse GO.

Sustitución del microcomputador principal PCB6

Cuando sustituya el chasis eléctrico, incluya la tarjeta PCB6, recuerde cambiar la EEPROM 6IC6 de la PCB6 defectuosa a la nueva PCB6, ya que contiene datos importantes (nº de serie, código PIN, etc.)

Los datos no se transfieren al nuevo módulo hasta que esté en contacto con el sistema antirrobo o después de 12 horas de conexión a la red. Esto significa que se puede probar una nueva tarjeta PCB6 sin transferir el número de serie del producto, etc.

¡Nota!

Si ha probado una PCB6 nueva y el número de serie se ha transferido a ésta e indica que la PCB6 antigua no está defectuosa, la nueva PCB6 sólo podrá usarse para este producto específico y deberá devolverse a Bang & Olufsen para su borrado.

Si las funciones del producto y el sistema antirrobo están correctos, no hay necesidad de probar la funcionalidad del sistema antirrobo.

Sustitución de PCB6 y EEPROM 6IC6

Si hace falta sustituir tanto la tarjeta PCB6 como la EEPROM 6IC6, es necesario que Bang & Olufsen los haya preprogramado antes con el número de serie correcto, ya que de lo contrario no podrán funcionar.

Póngase en contacto con Bang & Olufsen.

Activación del sistema de código PIN

Seleccione el menú TV SETUP

Pulse dos veces **◀** y luego **STOP** para abrir el menú PINCODE SETUP.

Teclee el código PIN de cuatro dígitos en Beo4.

Pulse **GO** tras introducir el último dígito. Vuelva a introducir el código para confirmarlo y pulse **GO**.

Si quiere cambiar o borrar el código PIN, introduzca el código PIN correcto y pulse **GO**.

Ahora puede cambiar o borrar el código PIN.

Introducción del código PIN

Si el sistema de código PIN está activado y el televisor está desconectado de la red durante más de 30 minutos, nada más encender el televisor aparecerá el menú PINCODE.

Introduzca los dígitos del código PIN y pulse **GO** cuando haya introducido el último dígito; el televisor volverá a funcionar.

Si se ha olvidado el código PIN

Si no se recuerda el código PIN (5 intentos en el intervalo de 3 horas con conexión a la red), la única manera de desbloquear el televisor es introducir el código maestro de 5 dígitos.

El código maestro se puede pedir enviando una solicitud a través de su distribuidor o mediante la fórmula del código maestro. Si no dispone de ninguna de estas opciones, póngase en contacto con Bang & Olufsen.

Cuando el televisor solicite un código PIN, pulse y mantenga pulsada **◀** para abrir el menú MASTERCODE.

Introduzca el código maestro y pulse **GO**. Con ello se desactivará el código PIN y se reactivará el televisor.

Programación flash del procesador M2

No es posible incorporar un módulo Set-top Box Controller en el chasis.

El Set-top-Box Controller es software (software STB-C y tabla STB-C) - por lo que tiene que programarse en flash en un procesador - el procesador M2.

El software de aplicación del procesador M2 se puede programar en flash.

Para ello, Bang & Olufsen ha desarrollado "Flash Tool", una aplicación de PC/portátil para instalar/actualizar el software STB-C y el software de aplicación de M2.

Herramientas necesarias para la programación flash

- PC/portátil con la aplicación "Flash Tool" de Bang & Olufsen (puede descargarse en Retail System (Sistema para minoristas)).
- Nº del kit de cables 3375397.

Programación flash

Actualización del software M2

(el conector IR Output no está presente)

Si el conector IR Output no está presente, el único software que tiene que actualizarse es el software de aplicación de M2.

- Desconecte el televisor de la red.
- Quite la tapa posterior (véase página 6.7).
- Conectar solamente el kit de TV por cable a 1P51.
- Inicie la aplicación "Flash Tool", seleccione "Products" y siga la información que aparece en la pantalla del ordenador.

Instalación/actualización del software

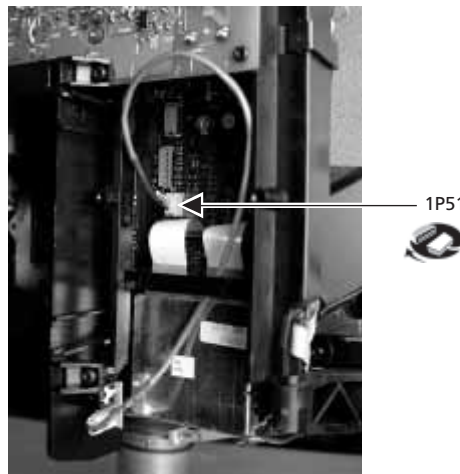
(el conector IR Output está presente)

Cuando el televisor está equipado con el conector IR Output, es posible instalar/actualizar tanto el software de aplicación de M2 como el software STB-C a través de esta conexión.

- Desconecte el televisor de la red.
- Inicie la aplicación "Flash Tool", seleccione "Products" y siga la información que aparece en la pantalla del ordenador.

¡Nota!

Las versiones del software se pueden consultar en el "menú Service".



Removal of the cloth front

Remove the cloth front

- Use the white gloves to avoid smudging the cloth front. Remove the cloth front by carefully pulling out at each corner and at the same time pull it downwards (see >1).

Mount the cloth front

- Use the white gloves to avoid smudging the cloth front. Reinstall the cloth front, by holding it at the corners, and then push it towards the TV and upwards. You can easily feel if the cloth front is not in the right place.

Removal of the contrast screen and cleaning the television

Remove the contrast screen

- Use the white gloves to avoid smudging the contrast screen. See >2 – >5.

Clean the picture tube and the contrast screen

- To clean the picture tube and the contrast screen use a mild window cleaning fluid. Make sure no streaks or traces of the cleaning fluid are left on the screen.

Clean the product

- Wipe dust of the surfaces of the television using a dry, soft cloth. If necessary, remove grease stains or more persistent dirt with a firmly wrung lint-free cloth which you have dipped in a solution of water containing a few drops of a mild detergent.

Abnahme der Textilfront

Abnahme der Textilfront

- Weiße Handschuhe benutzen, um keine Spuren auf der Textilfront zu hinterlassen. Textilfront durch vorsichtiges Ziehen an allen Ecken und gleichzeitiges Abwärtsziehen abnehmen (siehe >1).

Aufsetzen der Textilfront

- Weiße Handschuhe benutzen, um keine Spuren auf der Textilfront zu hinterlassen. Textilfront an den Ecken halten, dann zum TV-Gerät und aufwärts drücken. Ein falscher Sitz der Textilfront ist leicht zu bemerken.

Ausbau der Kontrastscheibe und Reinigung des TV-Geräts

Ausbau der Kontrastscheibe

- Weiße Handschuhe benutzen, um keine Spuren auf der Kontrastscheibe zu hinterlassen. Siehe >2 – >5.

Reinigung der Bildröhre und Kontrastscheibe

- Zur Reinigung von Bildröhre und Kontrastscheibe ein mildes Fensterreinigungsmittel benutzen. Sicherstellen, dass keine Streifen bzw. Reste der Reinigungsflüssigkeit auf dem Bildschirm verbleiben.

Reinigung des Geräts

- Staub auf den Geräteoberflächen mit einem trockenen, weichen Tuch abwischen. Ggf. Fettflecken und hartnäckigen Schmutz mit einem fusselfreien, gut ausgewrungenen Tuch mit einer Lösung aus Wasser und wenigen Tropfen eines milden Reinigungsmittels abwischen.

Retrait de la face avant en tissu

Enlevez la face avant en tissu

- Utilisez des gants blancs afin d'éviter de salir la face avant en tissu. Enlevez la face avant en tissu en tirant avec précaution sur chaque coin et tirez simultanément vers le bas (voir ➤1).

Montez la face avant en tissu

- Utilisez des gants blancs afin d'éviter de salir la face avant en tissu. Installez à nouveau la face avant en tissu en la maintenant par les angles et ensuite, poussez-la vers le téléviseur et vers le haut. Vous pouvez aisément vous rendre compte si la face avant en tissu n'est pas correctement positionnée.

Retrait de l'écran contraste et nettoyage du téléviseur

Enlevez l'écran contraste

- Utilisez des gants blancs afin d'éviter de salir l'écran contraste. Voir ➤2 – ➤5.

Nettoyez le tube image ainsi que l'écran de contraste

- Pour nettoyer le tube image ainsi que l'écran contraste, utilisez un nettoyant liquide doux pour vitres. Assurez-vous de ne laisser aucune strie ou trace du nettoyant liquide sur l'écran.

Nettoyez le produit

- Enlevez la poussière des surfaces du téléviseur en utilisant un chiffon sec et doux. Si nécessaire, enlevez les taches de gras ou de saletés plus résistantes avec un chiffon sans peluches, trempé dans une solution d'eau contenant quelques gouttes de détergent doux et préalablement essoré.

Rimozione del frontale in tessuto

Rimuovere il frontale in tessuto

- Servirsi di guanti bianchi per evitare di sporcare il frontale in tessuto. Rimuovere il frontale in tessuto estraendo con cautela ogni angolo e spingendo al tempo stesso verso il basso (vedere >1).

Montaggio del frontale in tessuto

- Servirsi di guanti bianchi per evitare di sporcare il frontale in tessuto. Reinstallare il frontale in tessuto sostenendolo agli angoli e spingendo verso l'apparecchio e verso l'alto. È facile capire se il frontale non è stato posizionato correttamente.

Rimozione dello schermo di contrasto e pulizia del televisore

Rimuovere lo schermo di contrasto

- Servirsi di guanti bianchi per evitare di sporcare lo schermo di contrasto. Vedere >2 – >5.

Pulire il tubo catodico e lo schermo di contrasto

- Per pulire il tubo catodico e lo schermo di contrasto usare un detergente non aggressivo per vetri. Eliminare con cura ogni residuo di detergente dallo schermo.

Pulire il prodotto

- Eliminare la polvere dalle superfici del televisore servendosi di un panno morbido asciutto. Se necessario, rimuovere eventuali macchie di grasso o di sporcizia tenace con un panno che non lasci pelucchi imbevuto di acqua contenente poche gocce di detergente neutro, avendo cura di strizzare bene il panno.

Retirada del frontal de tela

Retirada del frontal de tela

- Use unos guantes blancos para no ensuciar el frontal de tela. Retire el frontal de tela tirando de él hacia fuera en cada esquina y, al mismo tiempo, tirando hacia abajo (véase >1).

Instalación del frontal de tela

- Use unos guantes blancos para no ensuciar el frontal de tela. Reinstale el frontal de tela sujetándolo en las esquinas y empujando hacia el televisor y hacia arriba. Puede notar fácilmente que el frontal de tela no está situado en la posición correcta.

Retirada de la pantalla de contraste y limpieza del televisor

Retirada de la pantalla de contraste

- Use unos guantes blancos para no ensuciar la pantalla de contraste. Véase >2 – >5.

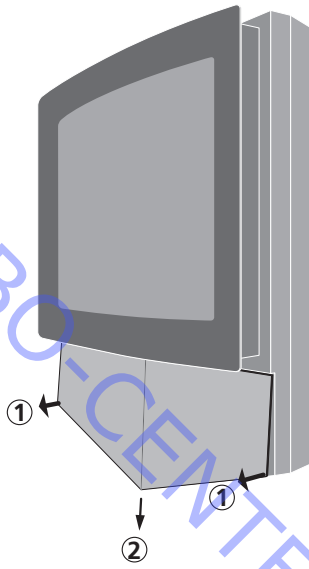
Limpieza del tubo de imagen y de la pantalla de contraste

- Para limpiar el tubo de imagen y la pantalla de contraste utilice un líquido suave de limpieza de ventanas. Asegúrese de que no queden restos o huellas del líquido limpiador en la pantalla.

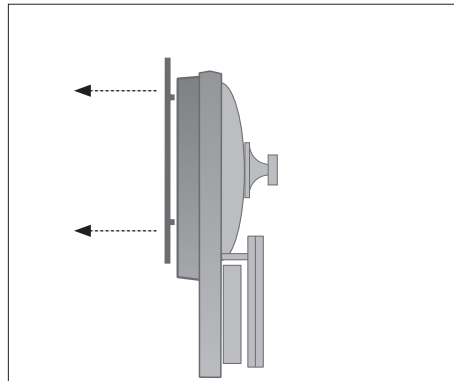
Limpieza del producto

- Elimine el polvo de las superficies del televisor con un paño seco y suave. Si fuera necesario, elimine las manchas de grasa o suciedad adherida con un paño sin pelusas, bien escurrido, humedecido en una solución de agua mezclada con algunas gotas de detergente suave.

>1



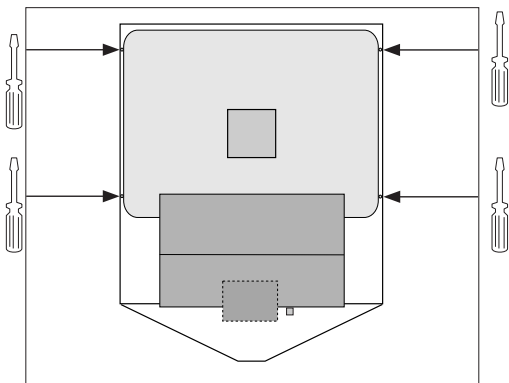
>5



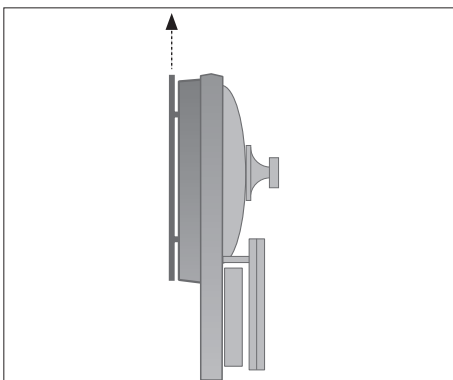
>2

➔ Page 6.7 Disassembly/Assembly

>3

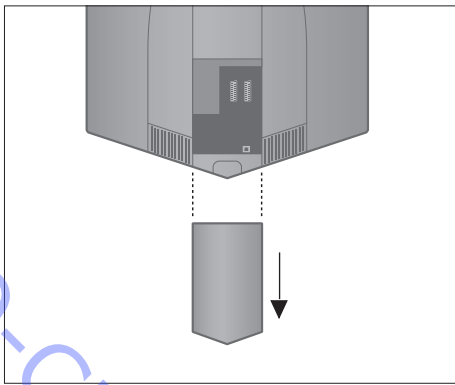


>4

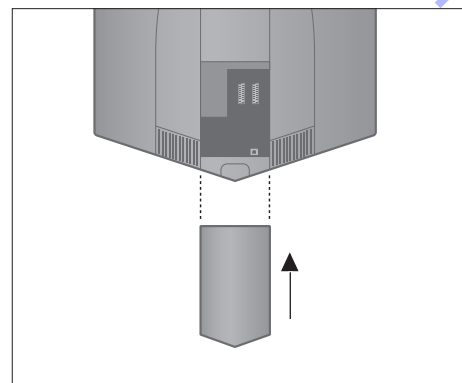
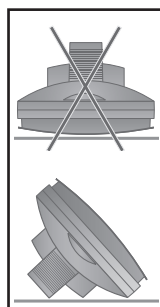
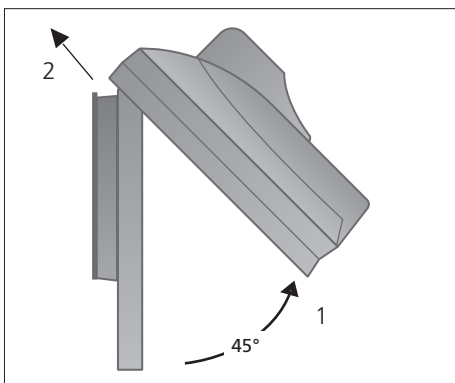
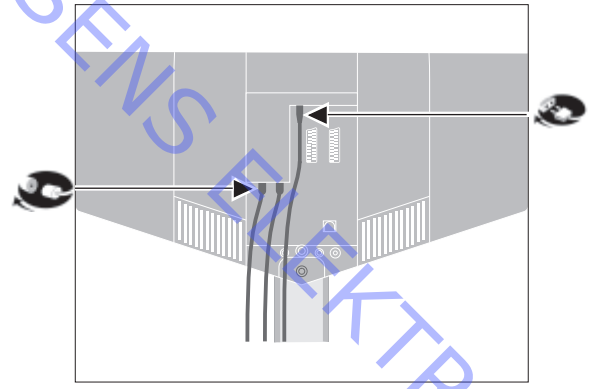
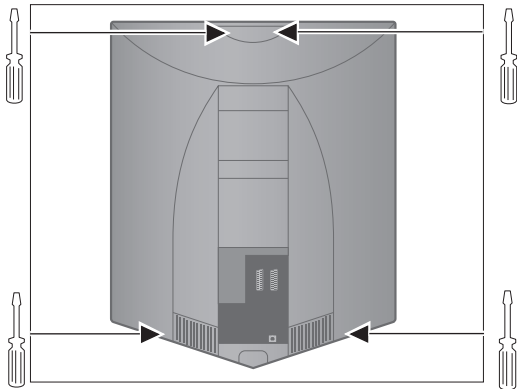
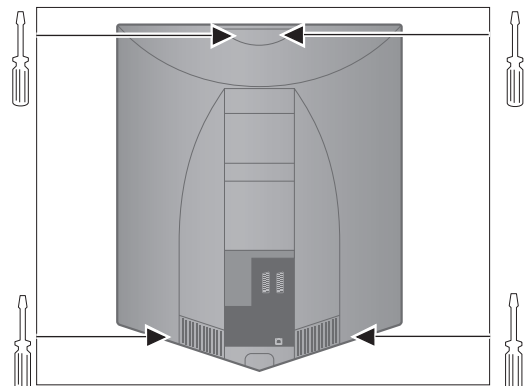
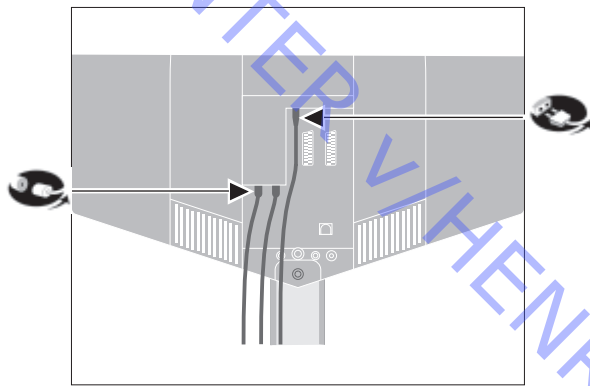
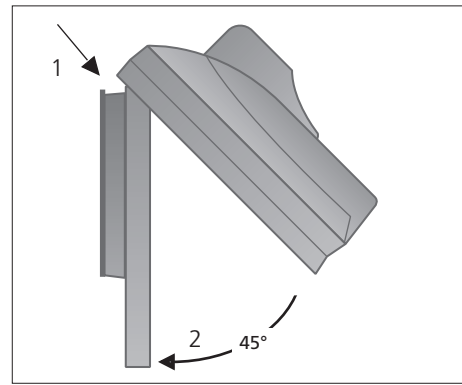


ABO-CENTER V/HENRIKSENS ELEKTRONIK

Disassembly

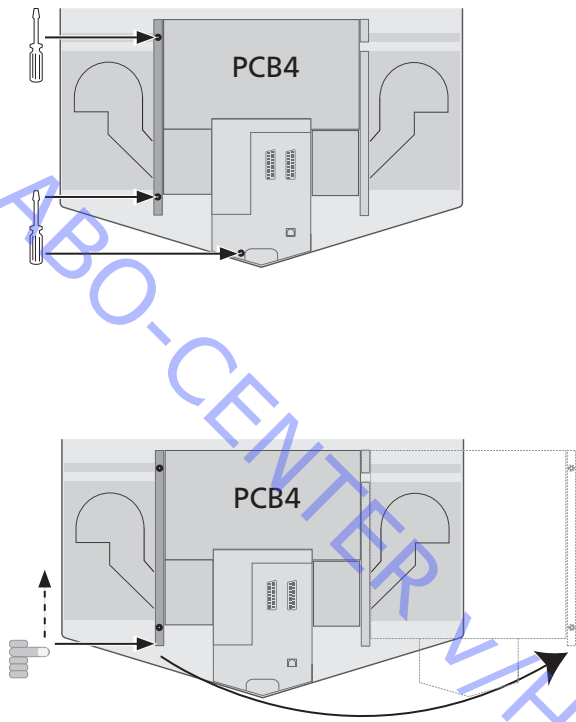


Assembly

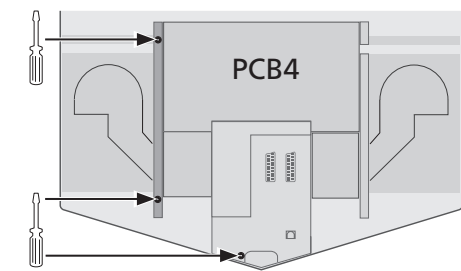
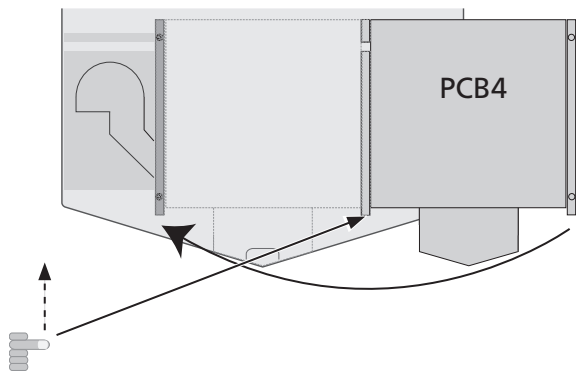


ABO-CENTER V/HENRIKSENS ELEKTRONIK

Main chassis in serviceposition

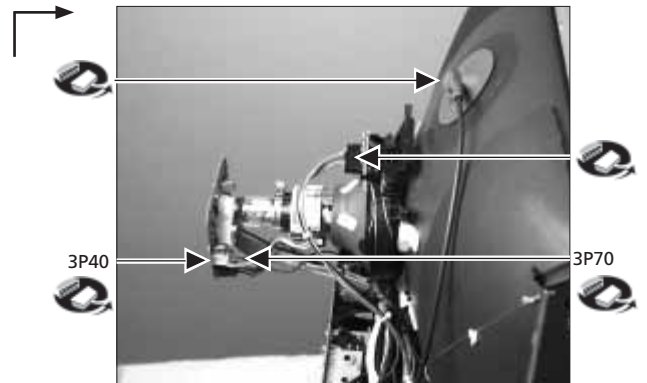
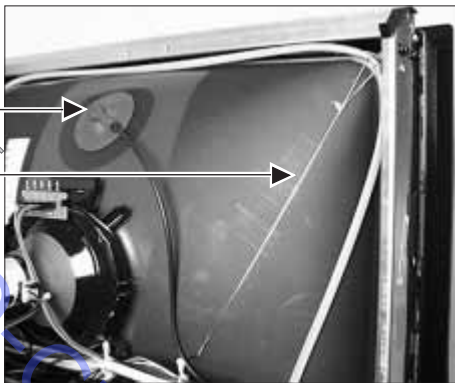


Close main chassis

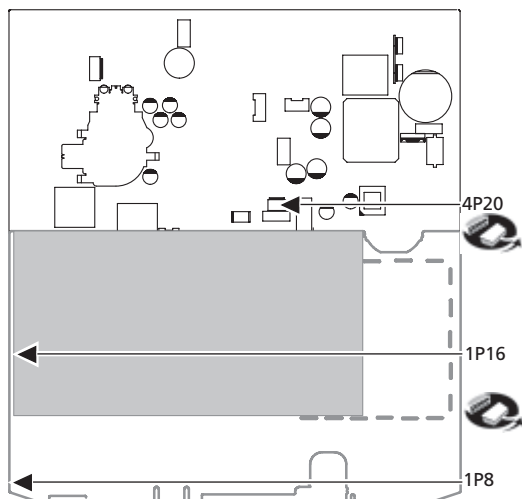
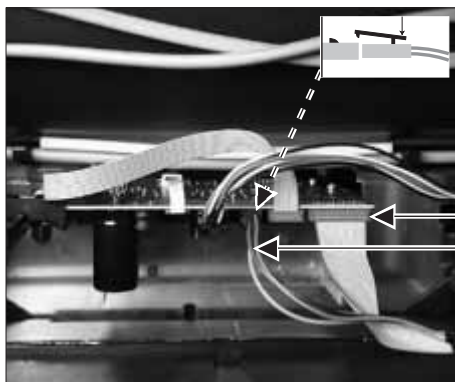
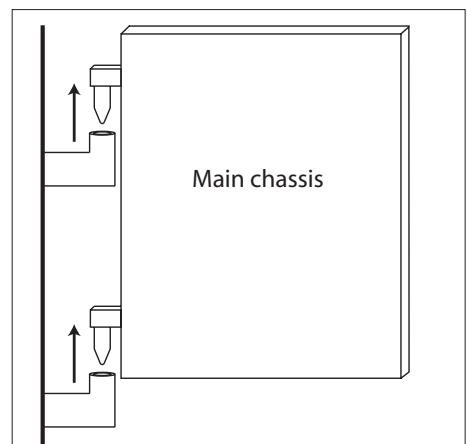


ABO-CENTER
VIHENRIKSENS ELEKTRONIK

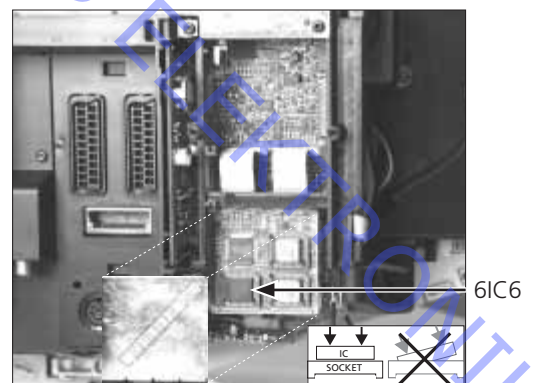
Main chassis



- ➔ Page 6.11 PCB51, if mounted
- ➔ Page 6.12 PCB63, if mounted
- ➔ Page 6.11 PCB64, if mounted
- ➔ Page 6.8 Main chassis in serviceposition



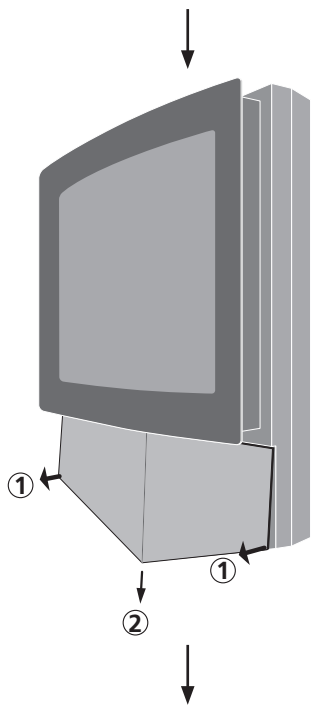
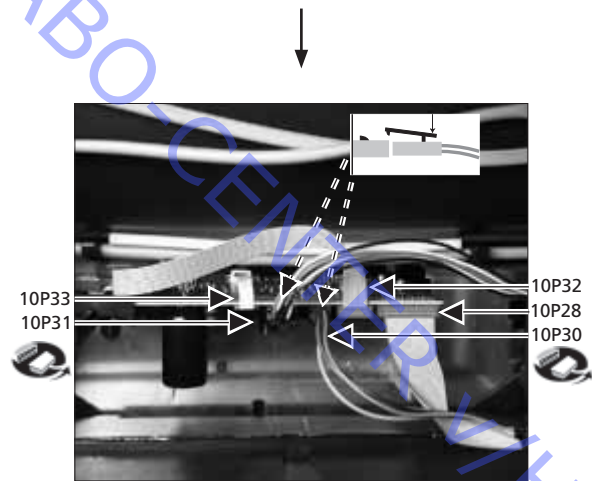
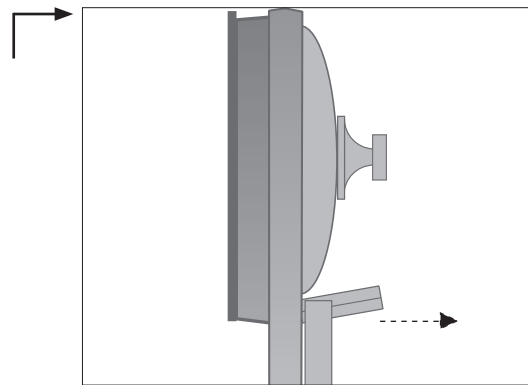
Please note: transfer 6IC6



Replace using IC-pliers (part no. 3629145)

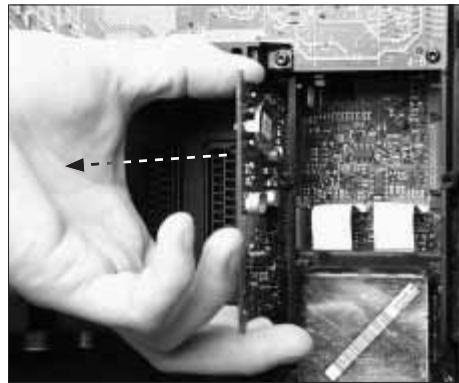
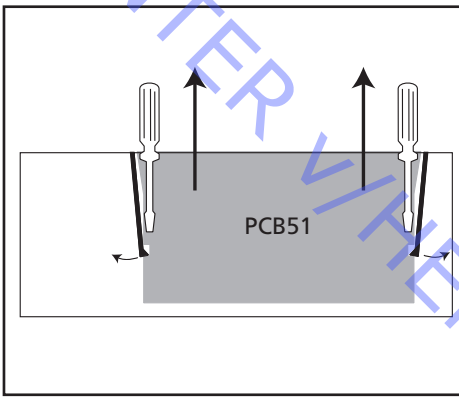
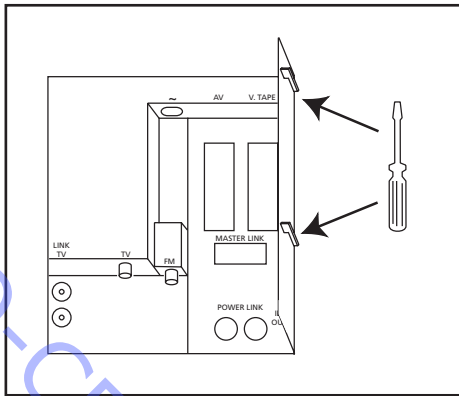
PCB10, Sound Output module

➔ Page 6.8 Main chassis in serviceposition

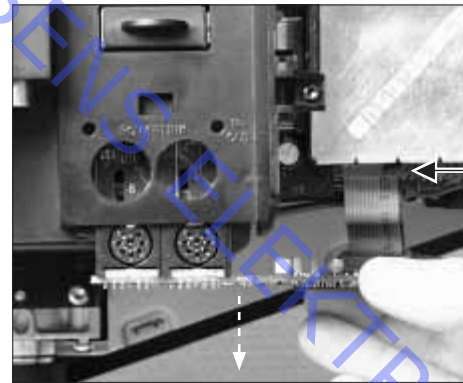
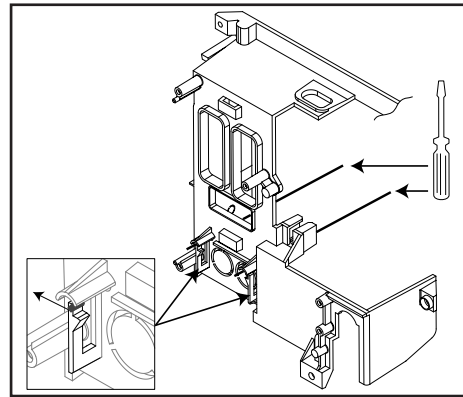
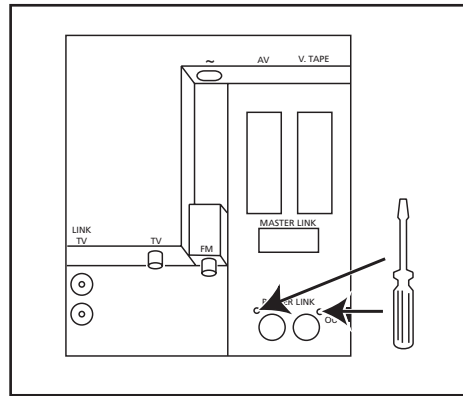


ABO-CENTRUM V/HENRIKSENS ELEKTRONIK

PCB51, Masterlink module

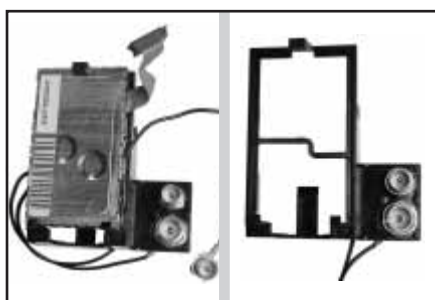
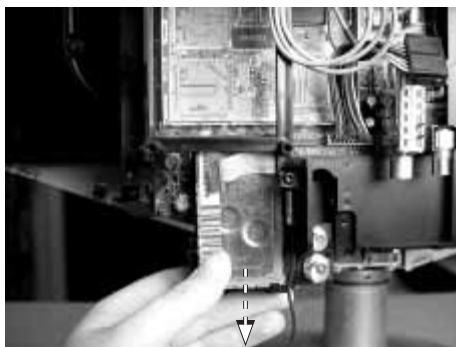
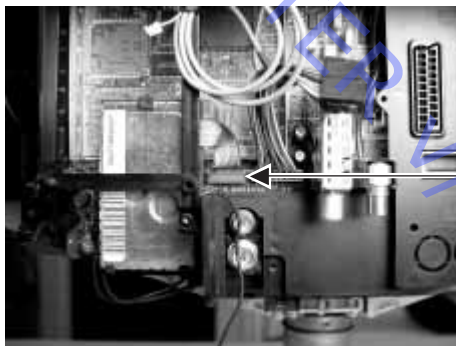
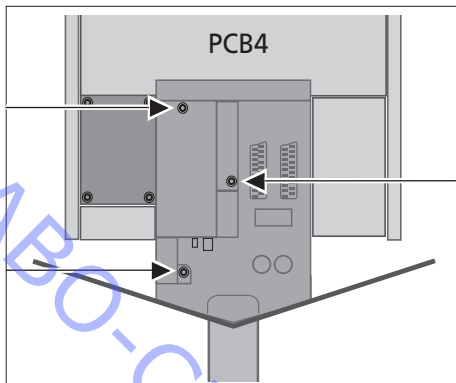


PCB64, Powerlink module



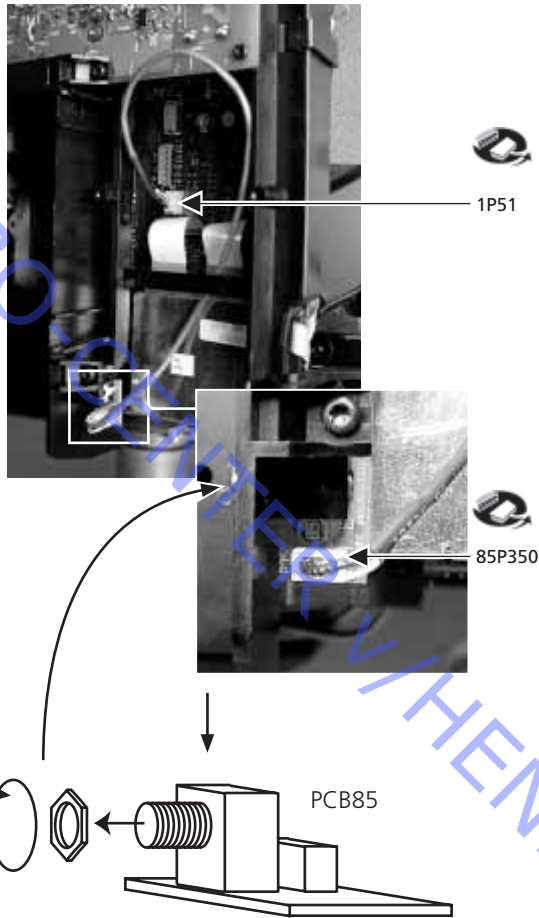
ABO-CENTER VILHENRIKSENS ELETTRONIK

PCB63, Modulator module



HENRIKSENS ELEKTRONIK

PCB85, Mini jack f. STB-Controller



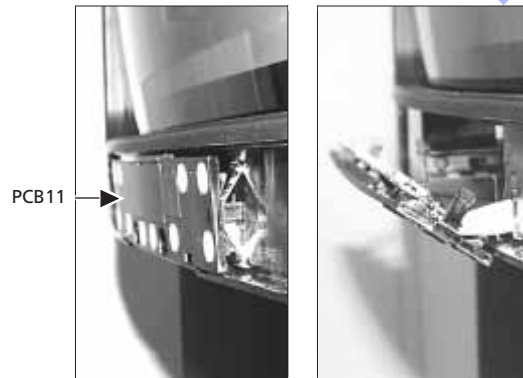
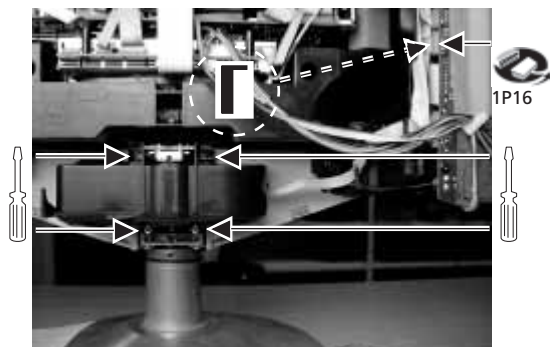
PCB11, IR Receiver

➔ Page 6.8 Main chassis in serviceposition



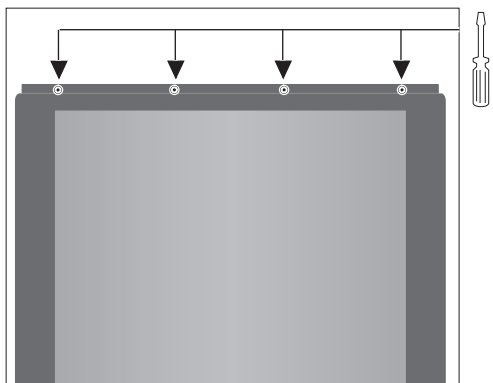
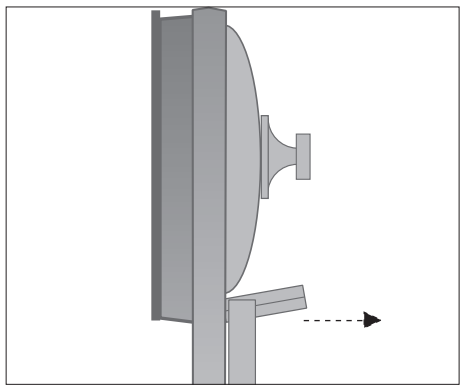
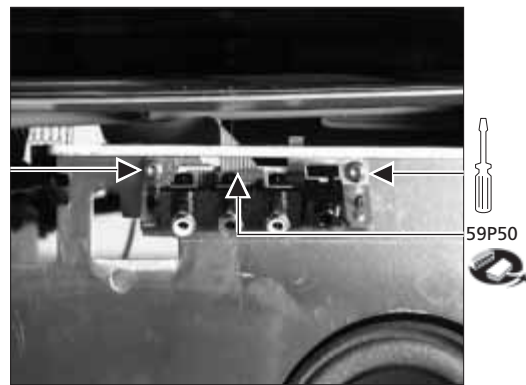
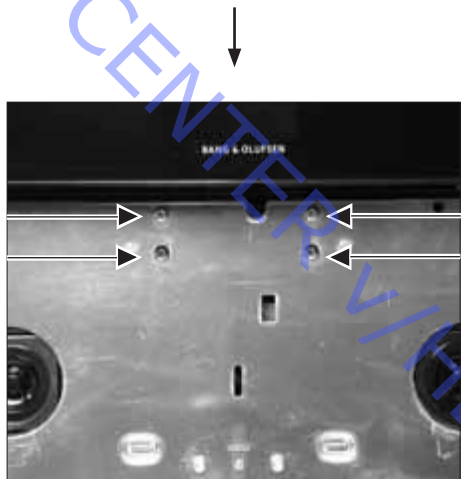
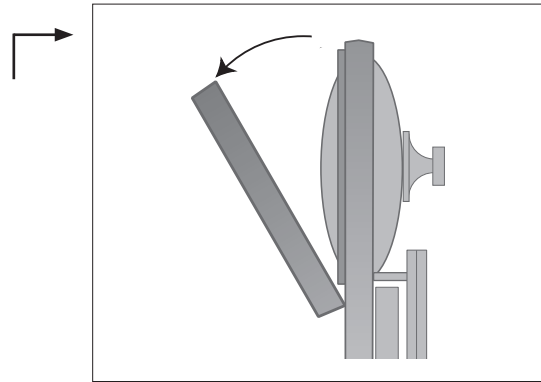
➔ Page 6.1 - 6.5 Contrast screen

PCB92, Motor stand module



PCB59, Camcorder interface module

Page 6.13 PCB11



ABO-CENTER VILHJENRIKSENS ELEKTRONIK

INSULATION TEST

Each set must be insulation tested after having been dismantled.
Make the test when the set has been reassembled and is ready to be returned to the customer.

Flashovers must not occur during the testing procedure!

Make the insulation test as follows:

Short-circuit the two pins of the mains plug and connect them to one of the terminals of the insulation tester. Connect the other terminal to ground on the VHF/UHF aerial socket.

NOTE!

To avoid damaging the set it is essential that both terminals of the insulation tester have good contact.

Slowly turn the voltage control of the insulation tester until a voltage of 2.5 kV is obtained. Maintain that voltage for one second, then slowly turn it down again.

ISOLATIONSPRÜFUNG

Nach einer Zerlegung ist bei jedem Gerät eine Isolationsprüfung vorzunehmen. Die Prüfung wird dann ausgeführt, wenn das Gerät wieder vollständig zusammgebaut und zur Auslieferung an den Kunden bereit ist.

Überschläge dürfen während der Prüfung nicht vorkommen!

Die Isolationsprüfung in folgender Weise durchführen:

Die beiden Steckerstifte am Netz-stecker kurzschließen und an eine der Anschlußklemmen des Isolationsprüfers anschließen. Die andere Anschlußklemme an die Masse des VHF/UHF Antennenanschlusses anschließen.

ACHTUNG!

Um Beschädigungen des Gerätes zu vermeiden, ist es wichtig, daß beide Anschlußklemmen des Isolationsprüfers einen sehr guten Kontakt haben.

Die Spannungsregelung des Isolationsprüfers langsam nach oben drehen, bis eine Spannung von 2,5 kV erreicht wird. Diese Einstellung 1 Sekund aufrechterhalten, und anschließend die Spannung wieder langsam nach unten drehen.

TEST D'ISOLEMENT

Il convient de soumettre l'appareil à un test d'isolement après l'avoir désassemblé. Ce test est effectué après avoir réassemblé l'appareil et avant de la remettre au client.

Aucun amorçage doit se produire lors du test!

Procéder au test d'isolement comme suit:

Court-circuiter les deux broches de la fiche secteur et les raccorder à une des bornes du testeur d'isolement. Raccorder l'autre borne à la broche d'une des prises d'antenne VHF/UHF.

ATTENTION!

Pour éviter d'endommager l'appareil, il est important que les deux bornes du testeur d'isolement possèdent un bon contact.

Tourner lentement la tension sur le testeur d'isolement jusqu'à arriver à 2,5 kV. Maintenir cette tension pour 1 seconde, puis la diminuer lentement de nouveau.

PROVA DI ISOLAMENTO

Ogni apparecchio deve essere sottoposto ad una prova di isolamento dopo essere stato smontato.

Eeguire la prova dopo avere rimontato l'apparecchio, prima di consegnarlo al cliente.

Durante la prova non devono verificarsi scariche elettriche!

Eeguire la prova di isolamento come segue:

Cortocircuitare i due contatti della spina di rete e collegarli ad uno dei terminali del verificatore di isolamento. Collegare l'altro terminale alla terra della presa dell'antenna VHF/UHF.

NOTA!

Per evitare danni all'apparecchio è essenziale che entrambi i terminali del verificatore di isolamento abbiano un buon contatto.

Ruotare lentamente il regolatore di tensione del verificatore di isolamento fino ad ottenere una tensione di 2,5 kV. Mantenere questa tensione per un secondo e quindi ridurla lentamente.

PRUEBA DE AISLAMIENTO

Después de haber sido desmontado, cada aparato se someterá a una prueba de aislamiento. El test se realizará después de haber vuelto a montar el aparato, antes de su devolución al cliente.

Durante el proceso de prueba en ningún caso deberán producirse descargas eléctricas.

La prueba de aislamiento se realizará como sigue:

Cortocircuite los dos pines del conector de alimentación de red y conéctelos a uno de los terminales del aparato de pruebas de aislamiento, conectando el otro terminal a masa del conector de antena VHF/UHF.

¡ATENCIÓN!

Para evitar daños en el aparato, es imprescindible que los dos terminales del aparato de pruebas de aislamiento hagan bien contacto.

Gire el control de tensión del aparato de pruebas de aislamiento lentamente hasta alcanzar una tensión de 2,5 kV. Mantenga esta tensión durante un segundo y luego vuelva a reducirla lentamente.

ABO-CENTER V/HENRIKSENS ELEKTRONIK